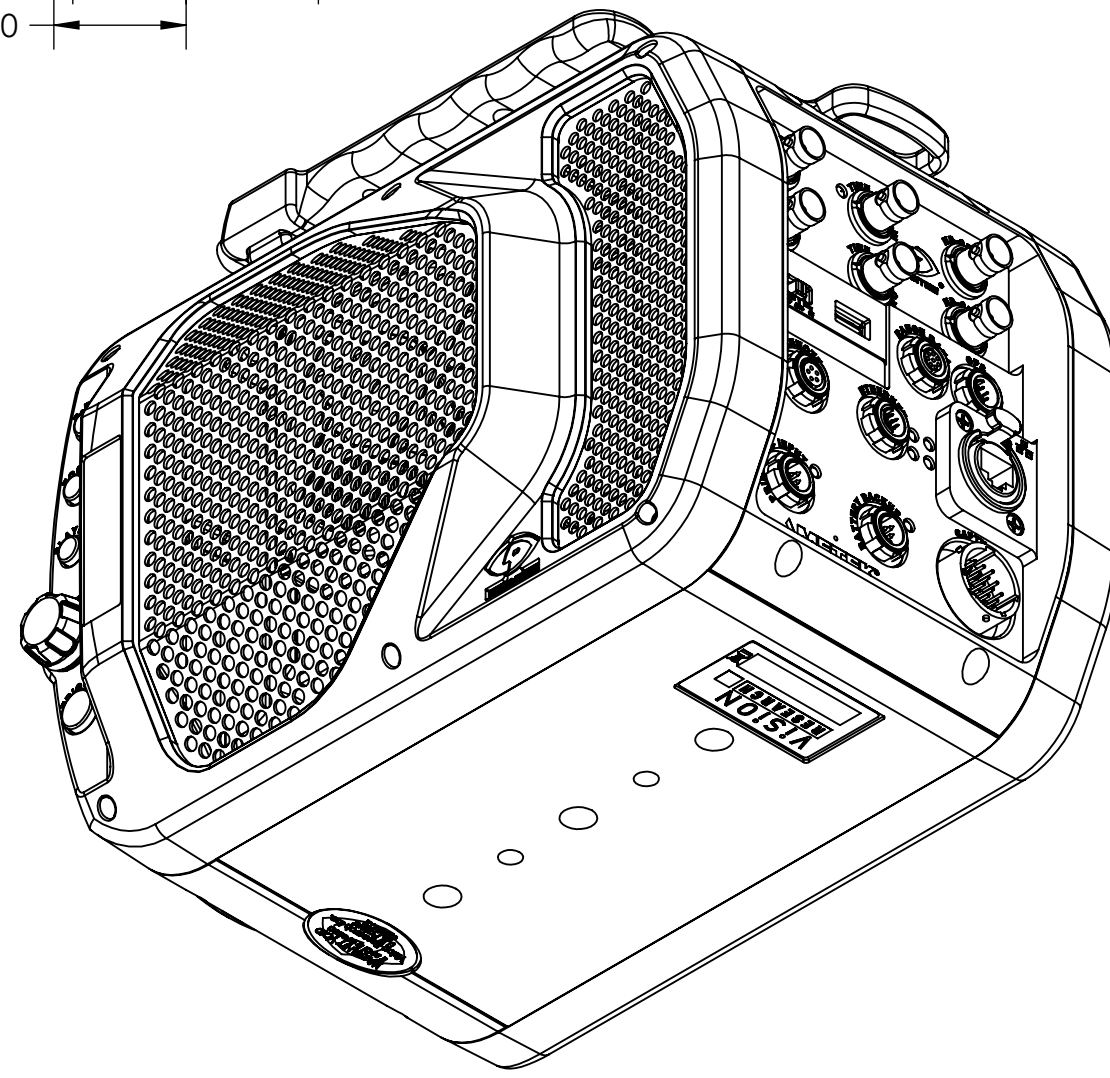
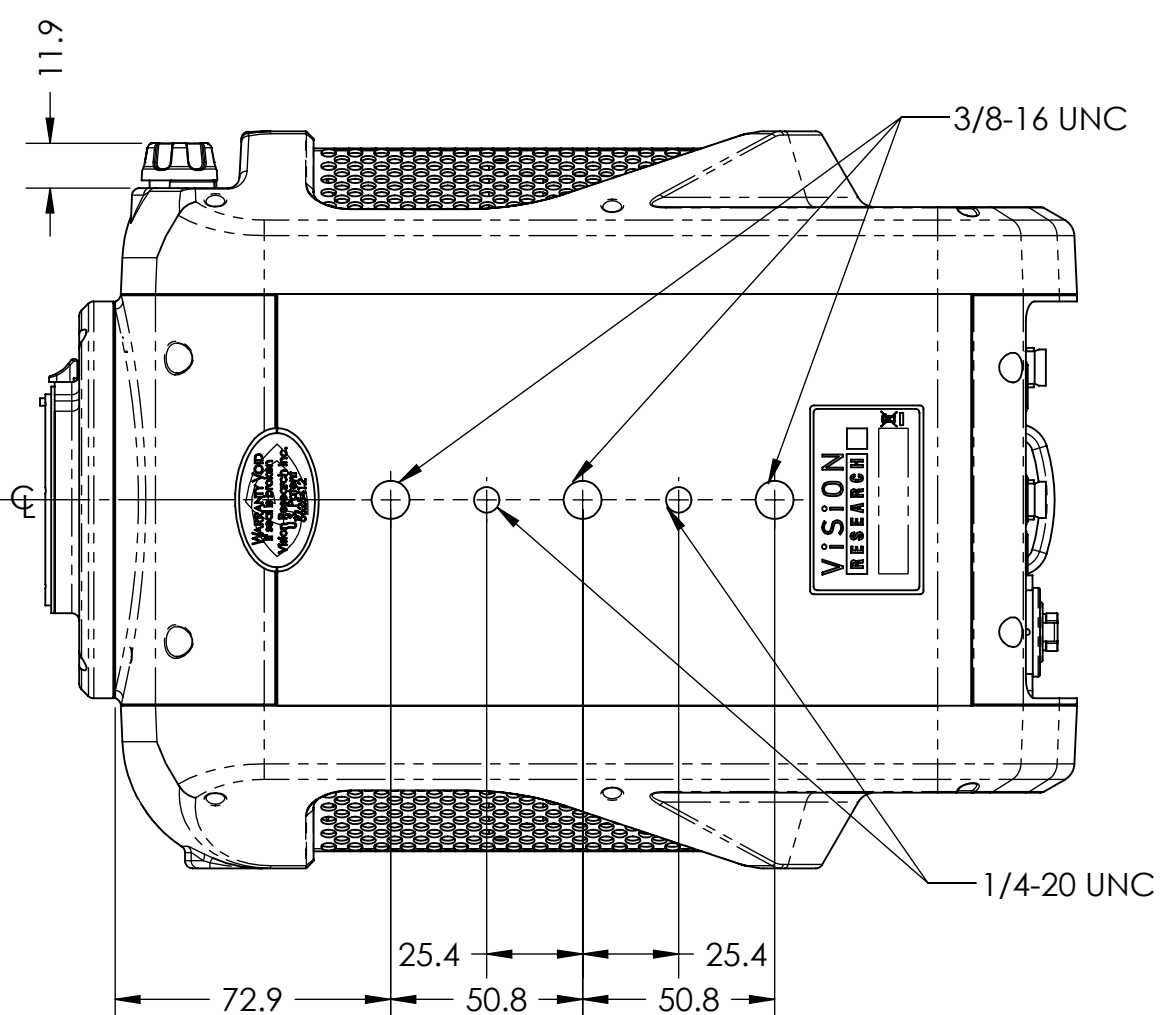
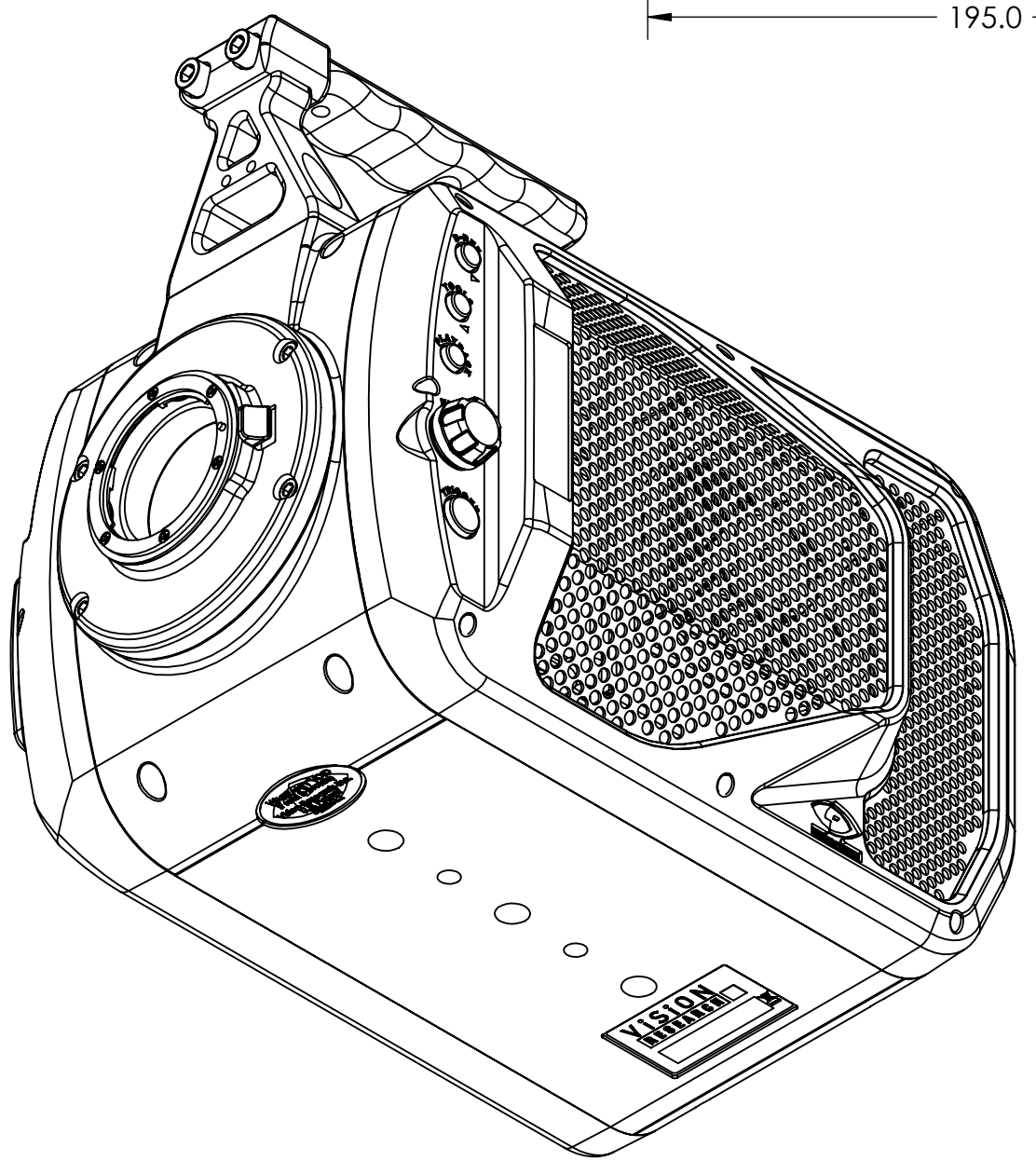
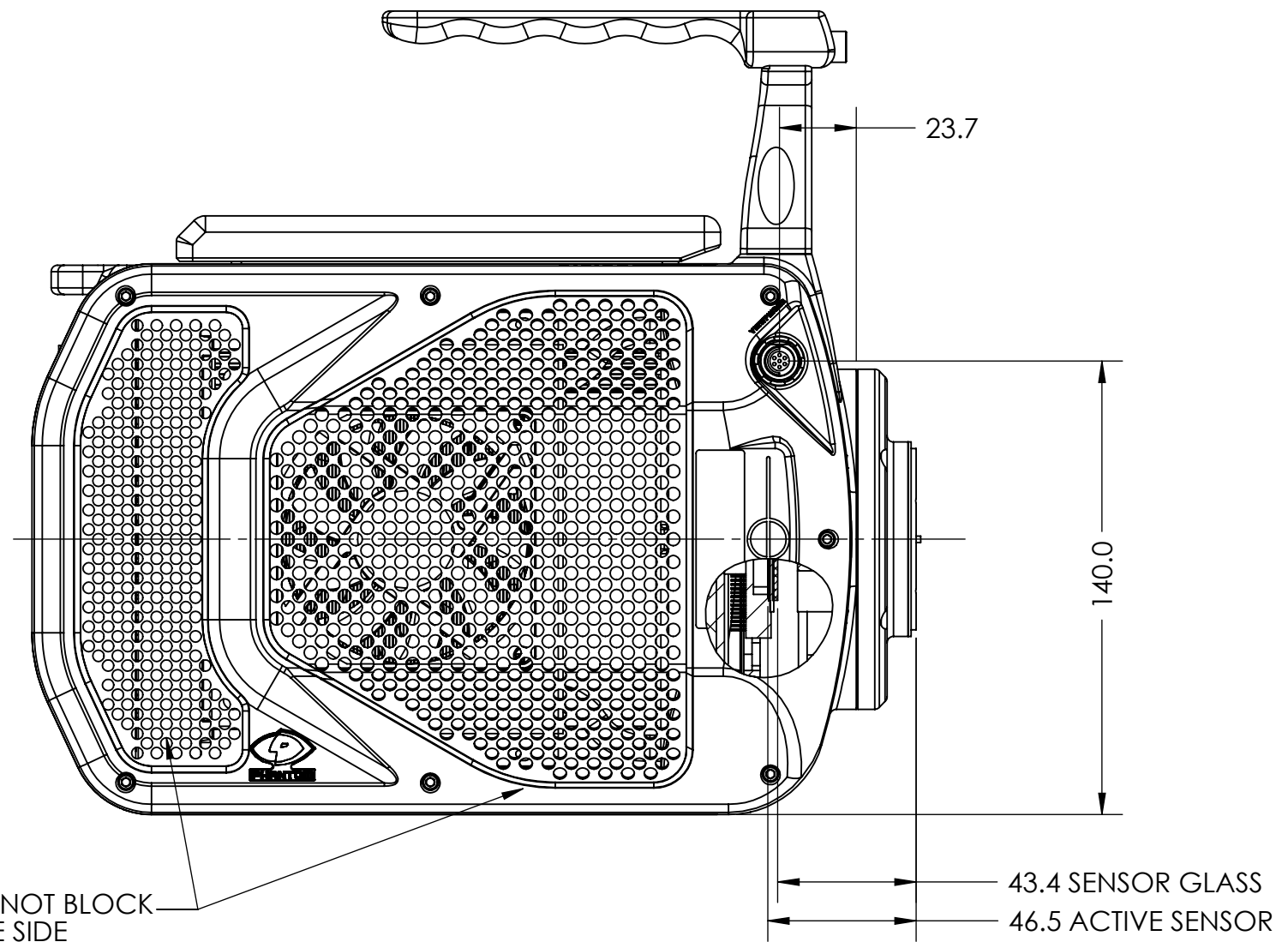
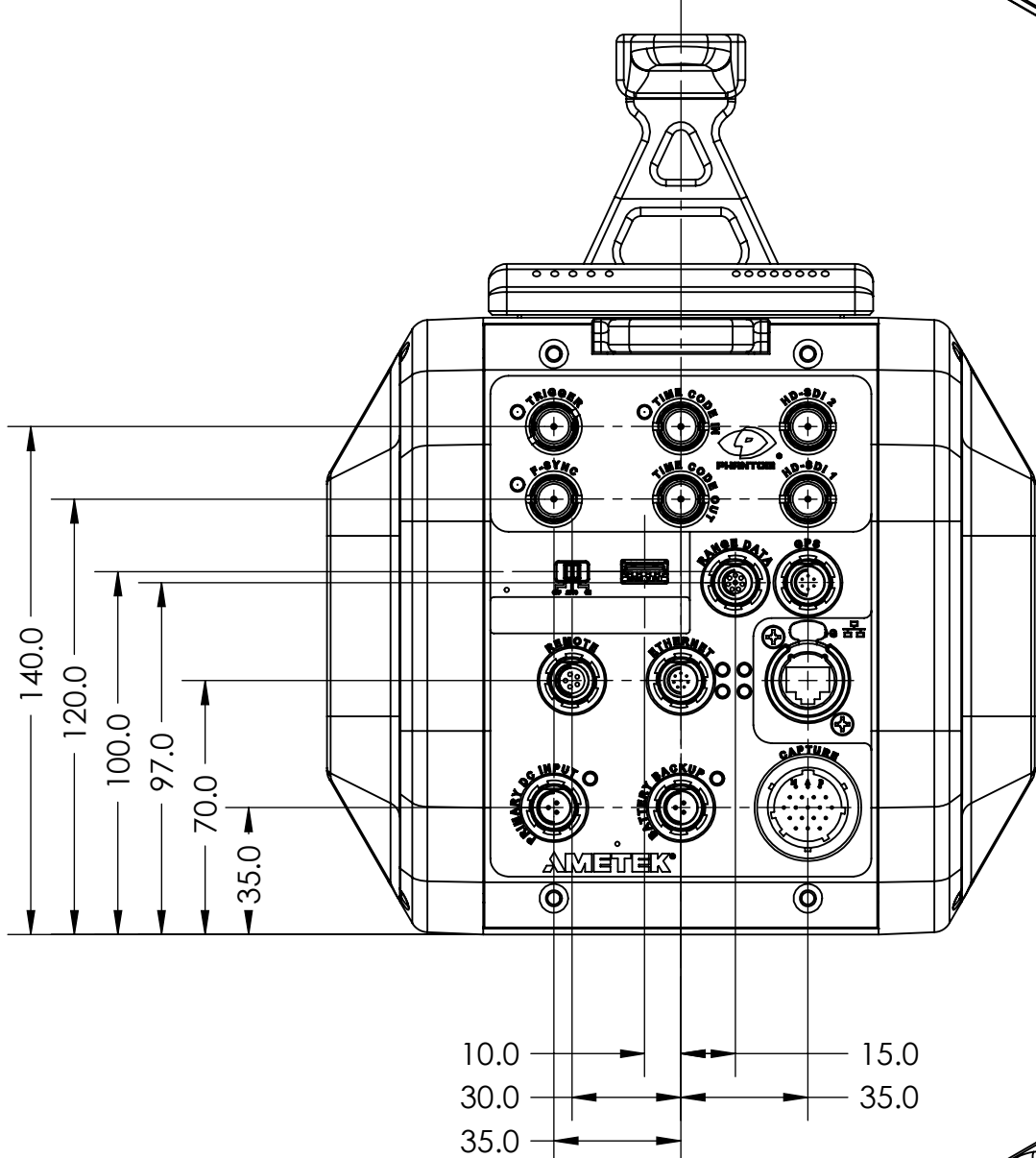
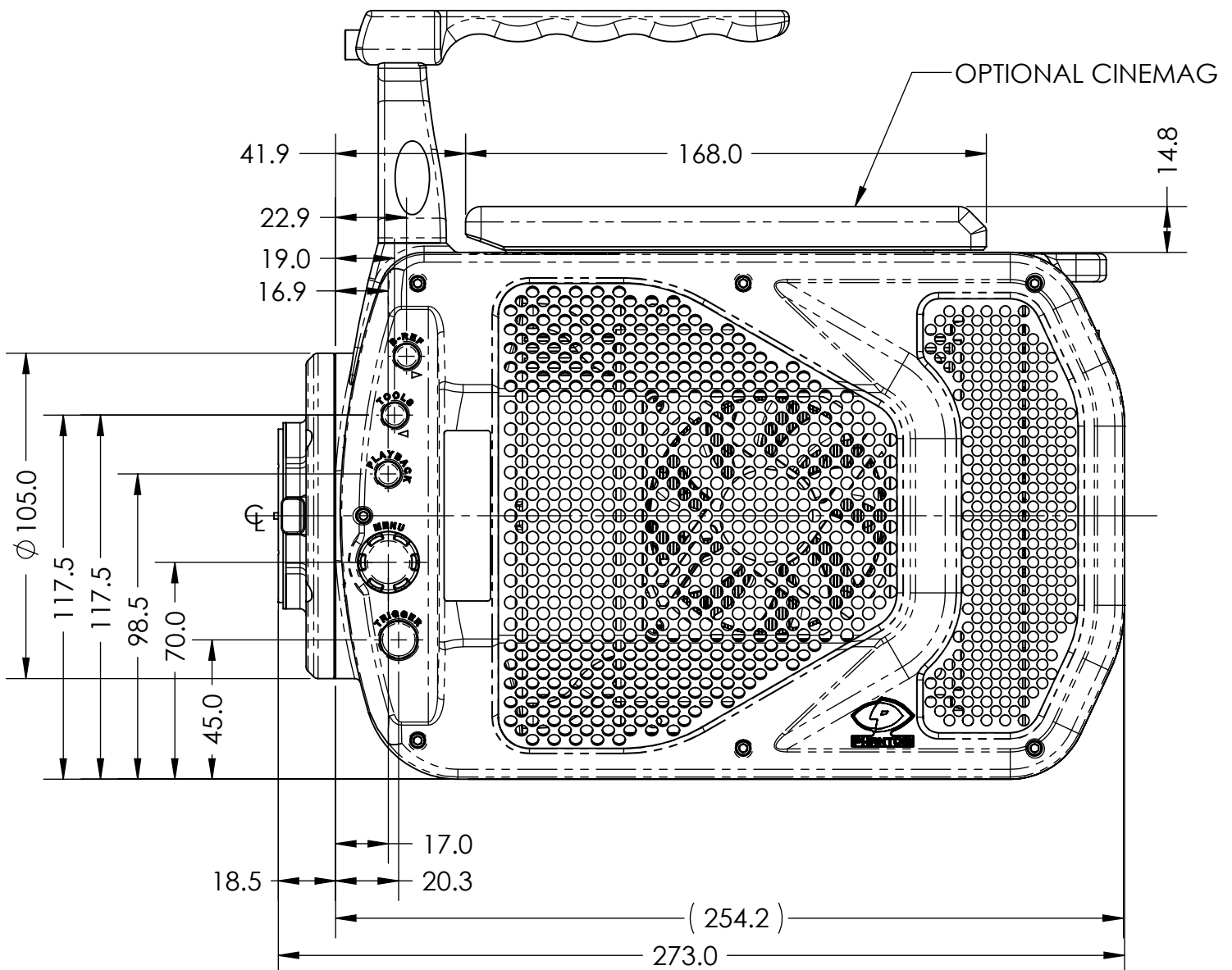
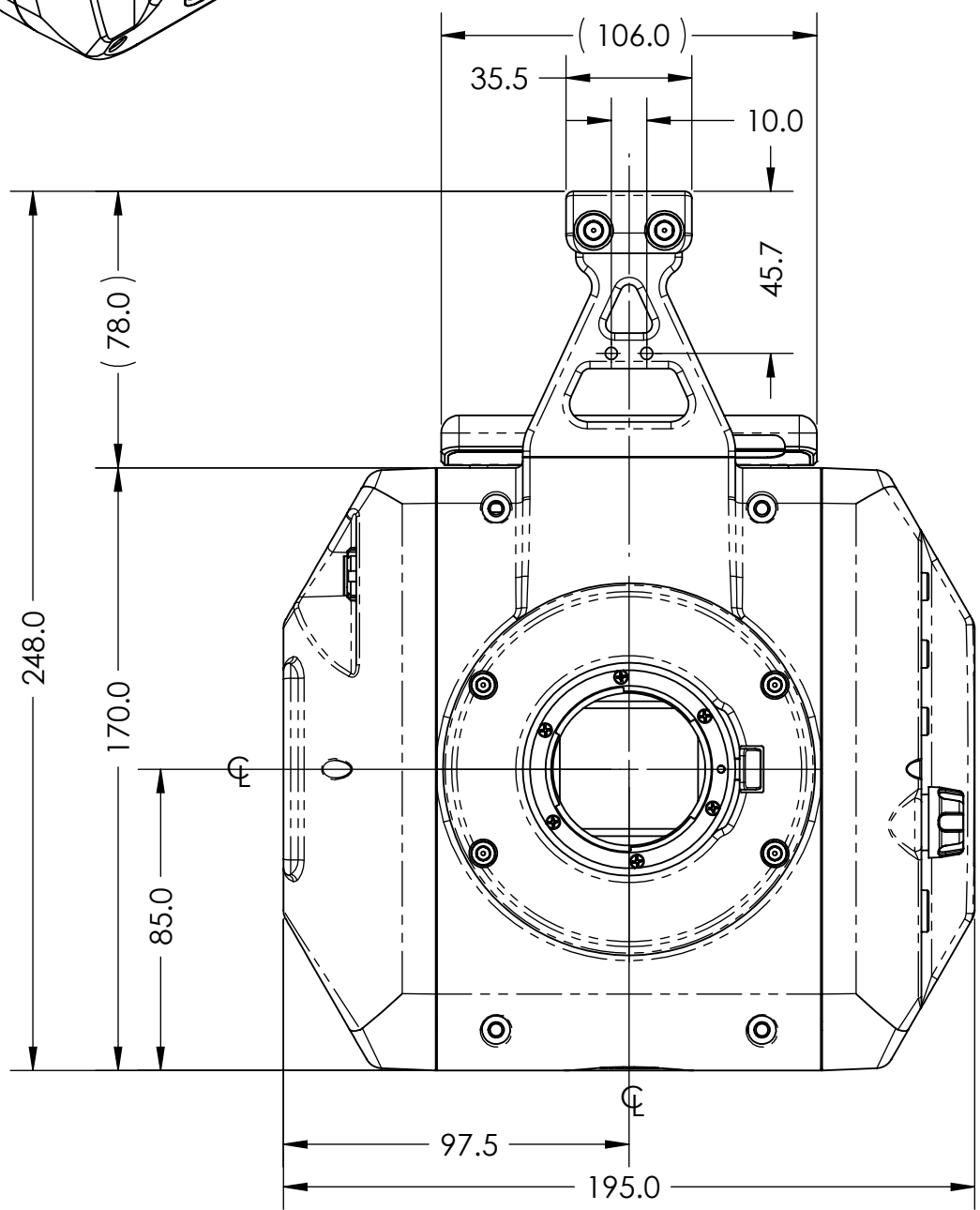
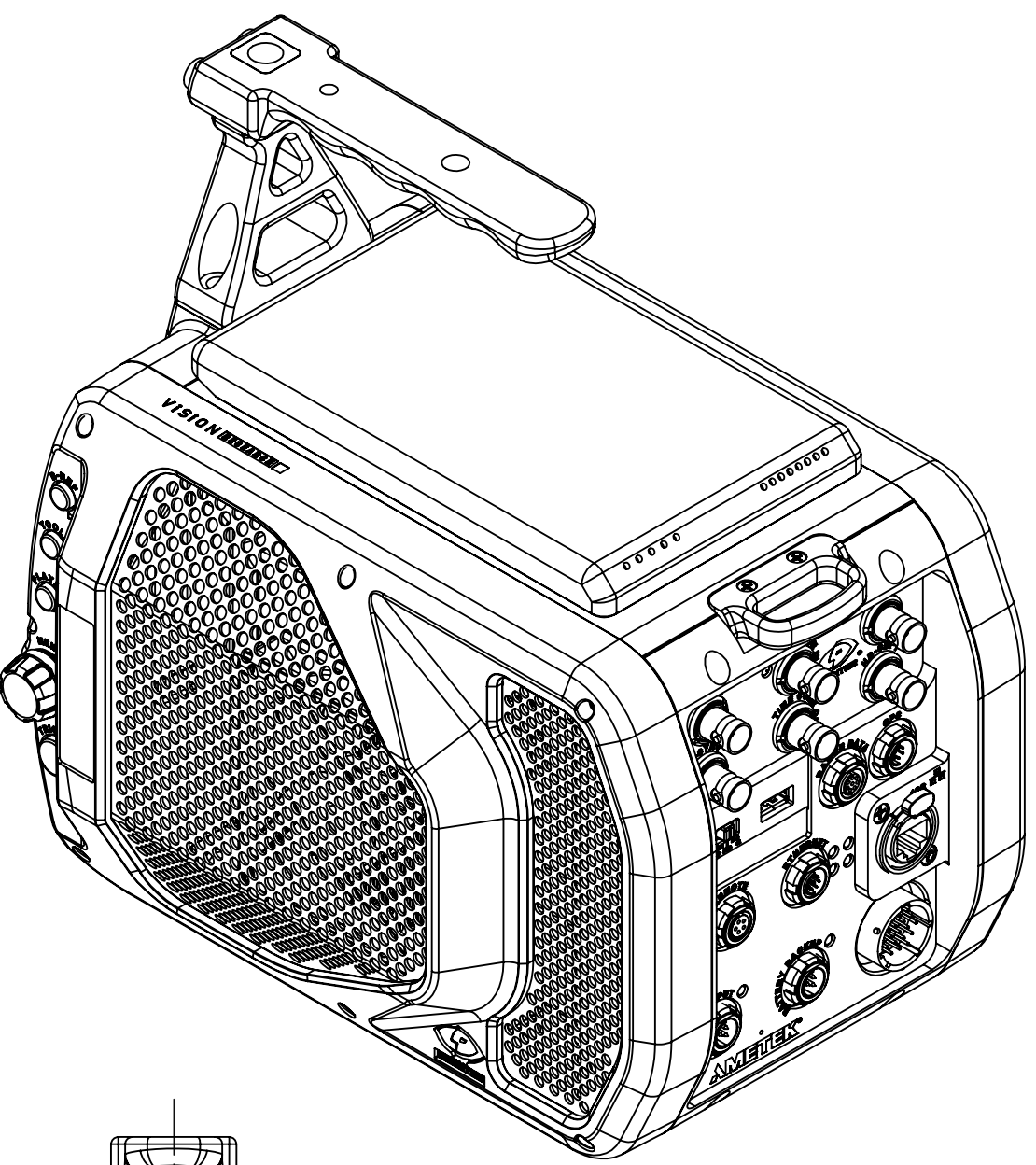
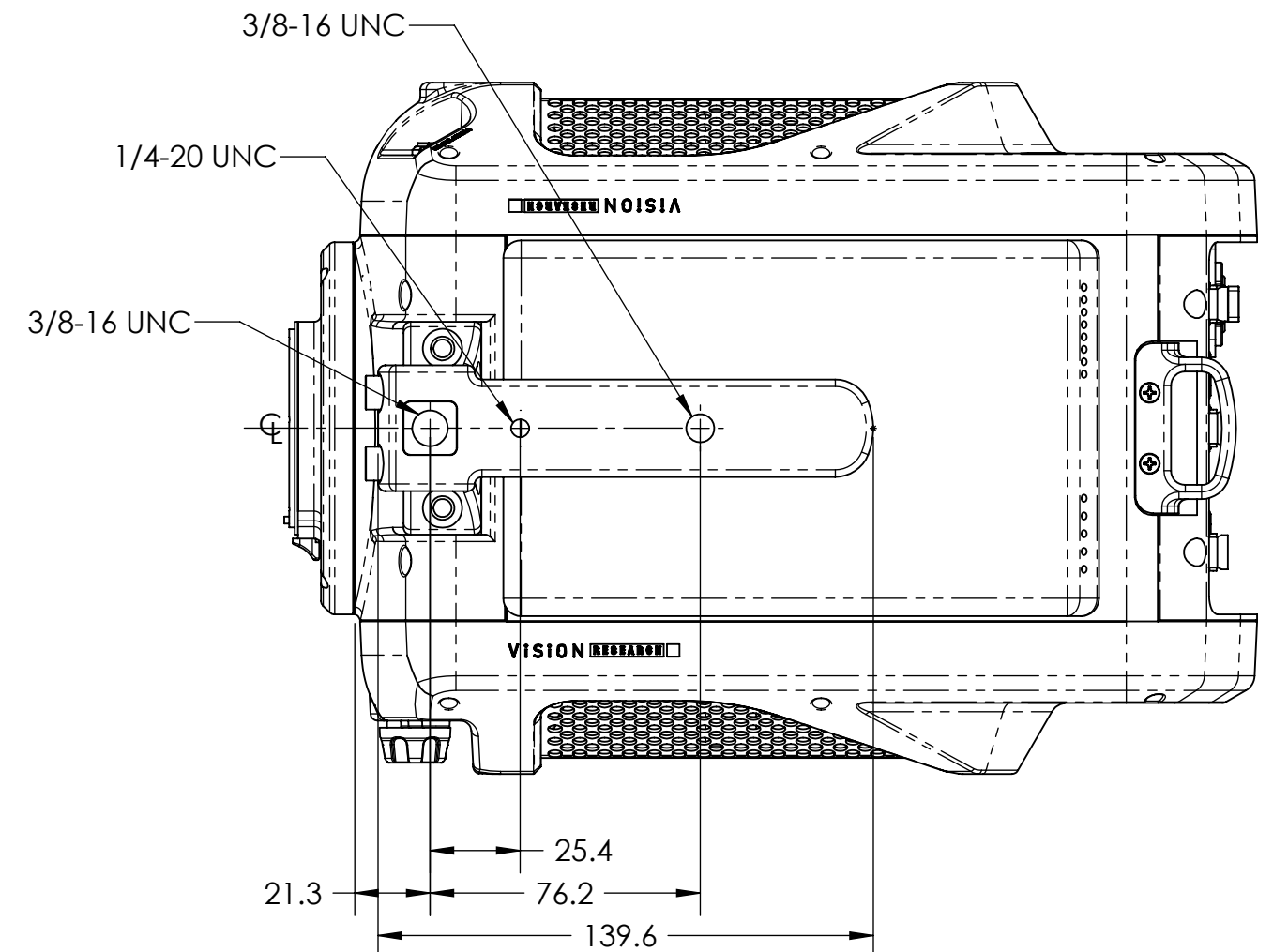
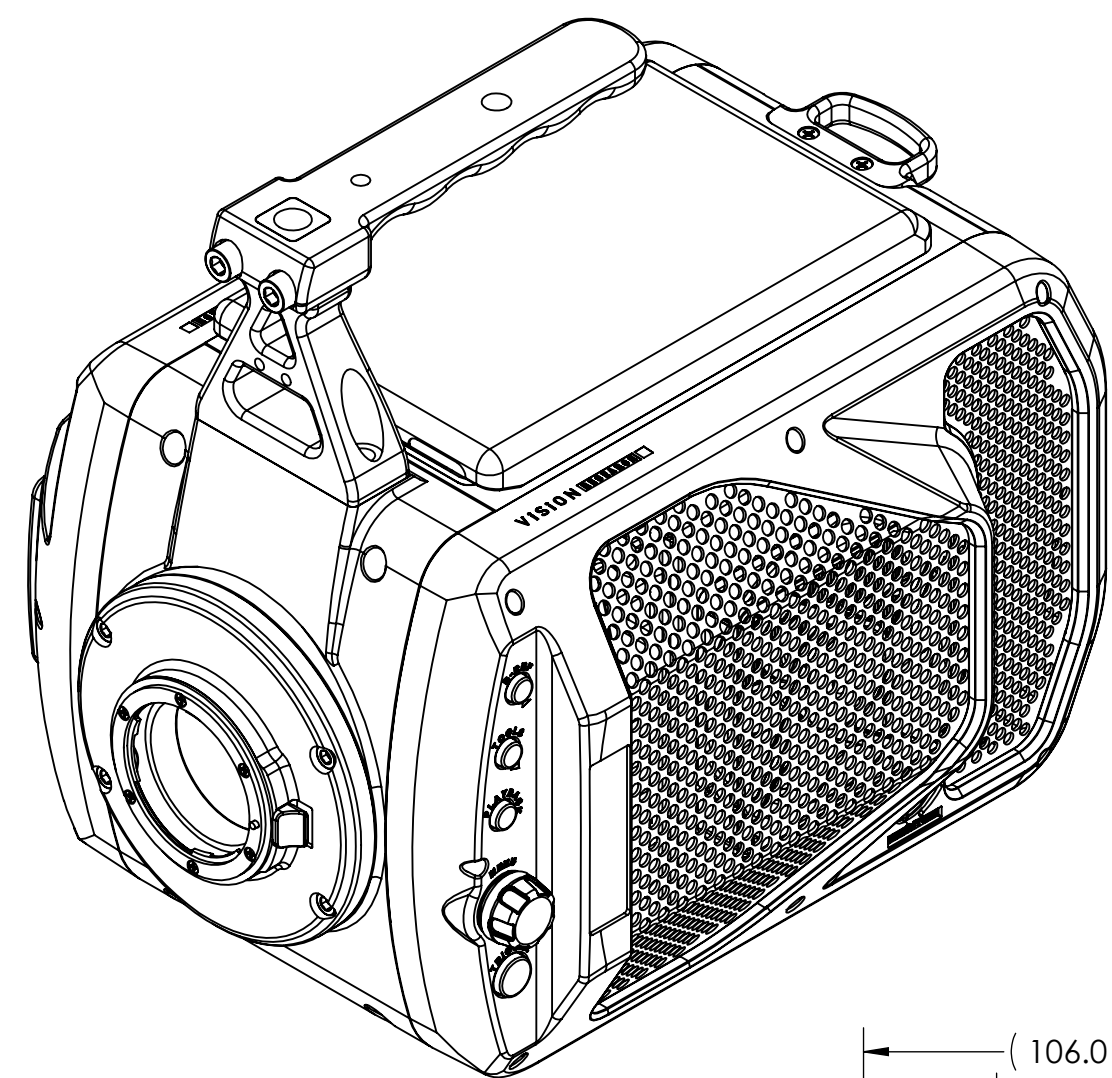


REVISIONS HISTORY			
REV.	DESCRIPTION	DRN BY	APP'D BY
0	INITIAL RELEASE	B.E.	8/10/11



VENTILATION, DO NOT BLOCK TYPICAL OPPOSITE SIDE

**PROPRIETARY AND CONFIDENTIAL**  
 THE INFORMATION CONTAINED IN THIS DRAWING IS THE SOLE PROPERTY OF VISION RESEARCH. ANY REPRODUCTION IN PART OR AS A WHOLE WITHOUT THE WRITTEN PERMISSION OF VISION RESEARCH IS PROHIBITED.

		UNLESS OTHERWISE SPECIFIED: DIMENSIONS ARE IN MM
		TOLERANCES: FRACTIONAL: $\pm 1/64$ ANGULAR: MACH $\pm 0.5$ ONE PLACE $\pm 0.25$ TWO PLACE $\pm 0.13$
		INTERPRET GEOMETRIC TOLERANCING PER: MATERIAL
NEXT ASSY	USED ON	FINISH
APPLICATION		DO NOT SCALE DRAWING

NAME	DATE
DRAWN B.E.	8/10/11
CHECKED	
ENG APPR.	
MFG APPR.	
Q.A.	

**VISION RESEARCH**  
 100 Dey Road  
 Wayne, New Jersey 07470 USA  
 973-696-4500

TITLE:  
**CUSTOMER DRAWING, V1210 & V1610**

SIZE	DWG. NO.	REV
<b>D</b>	ZDOC-64102-CD-0001	0

SCALE 1:2    WEIGHT:    SHEET 1 OF 1

