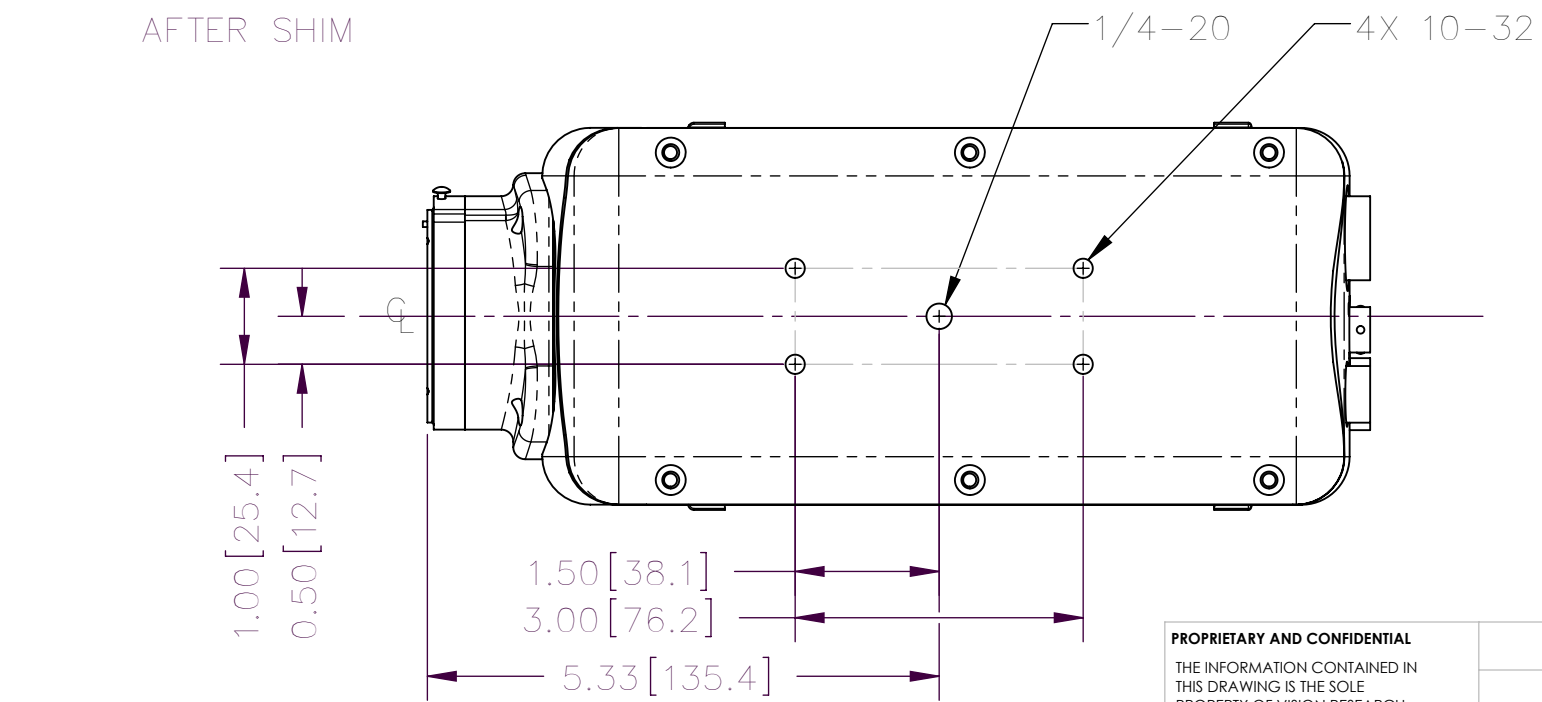
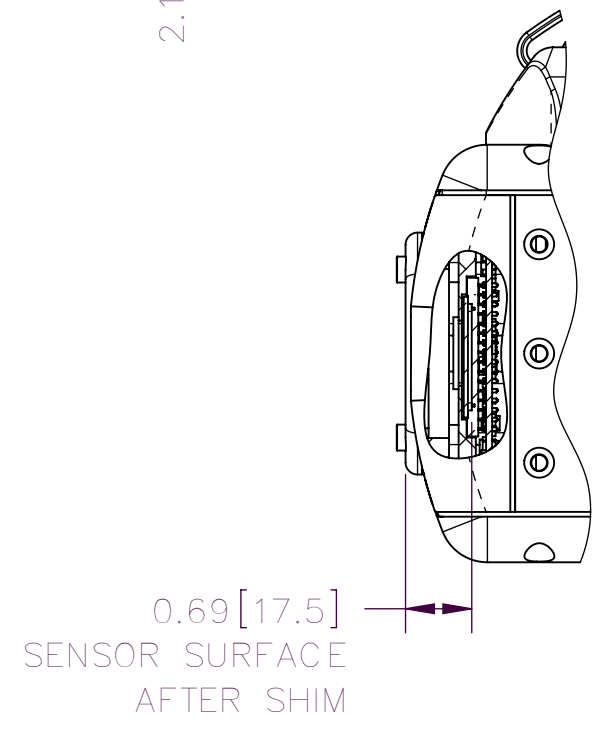
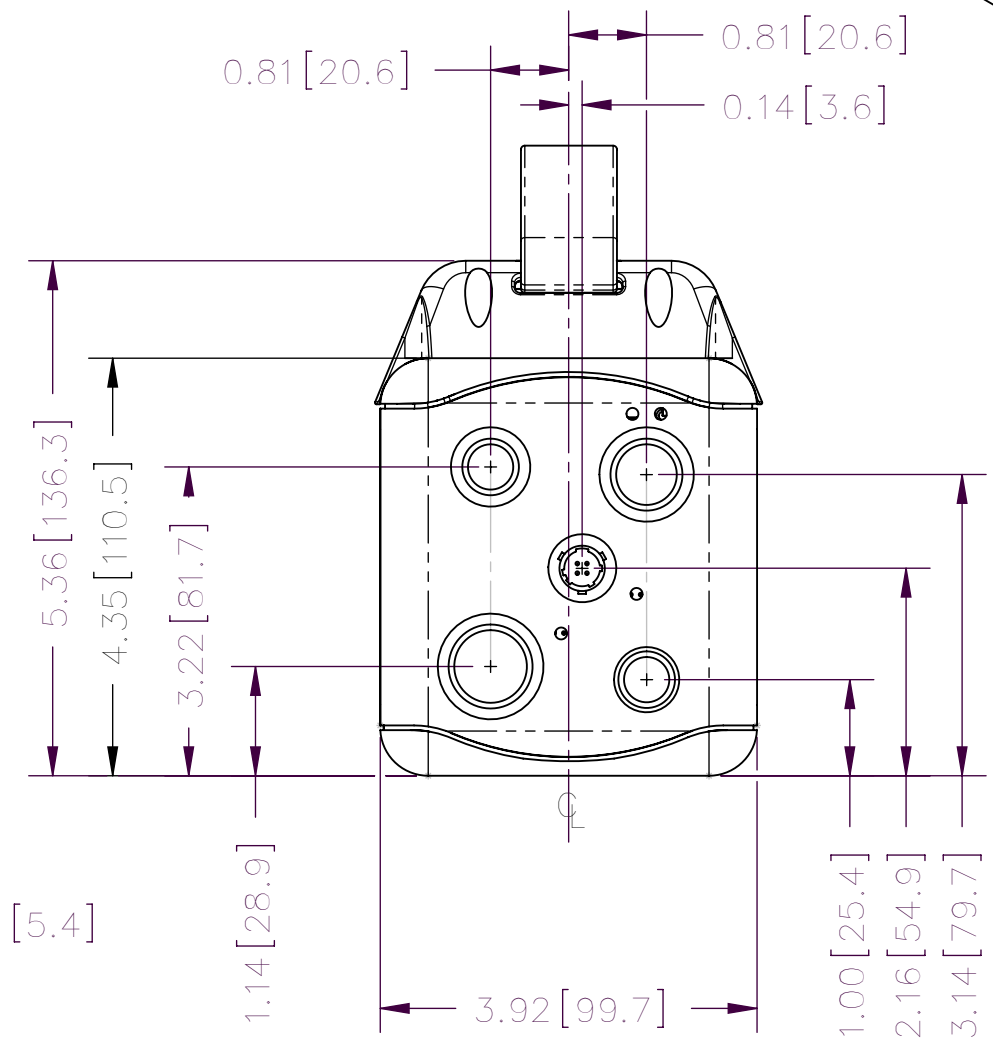
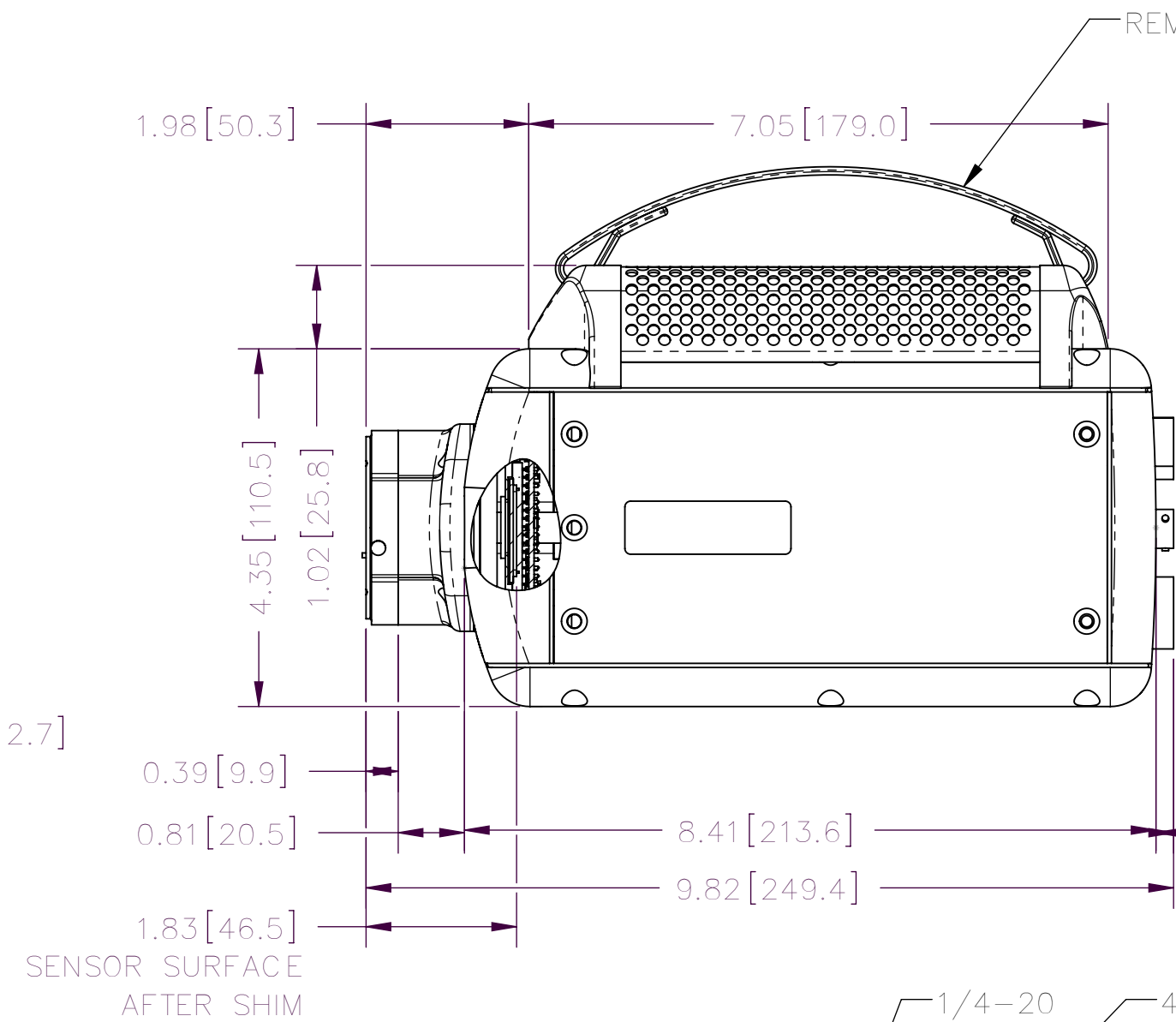
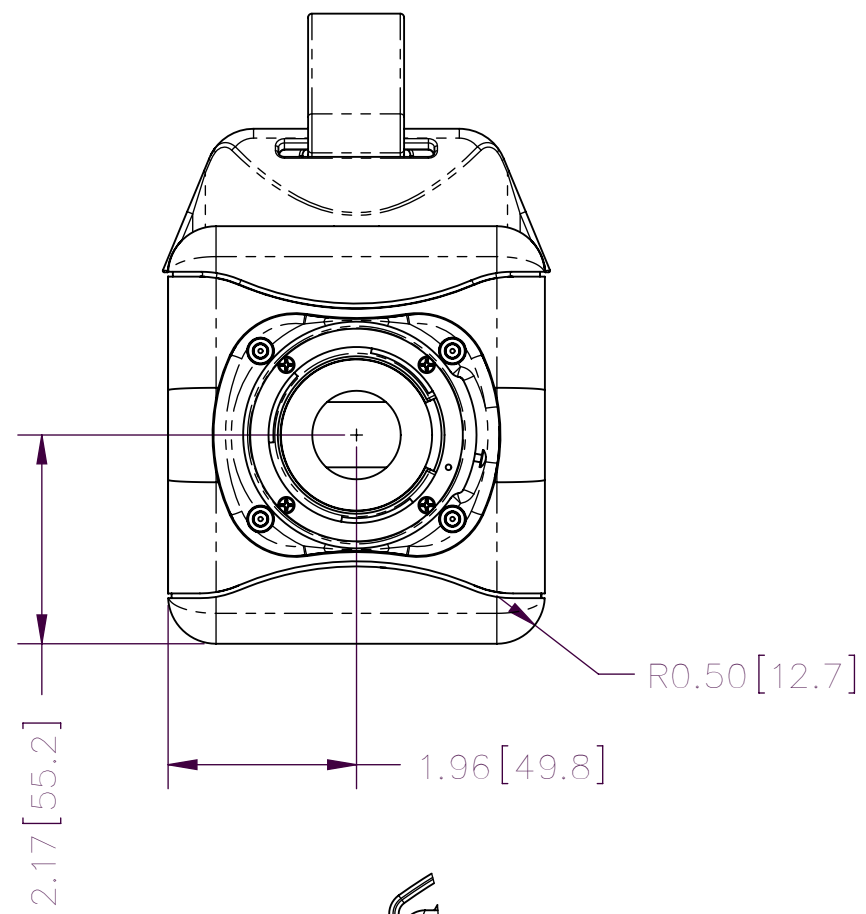
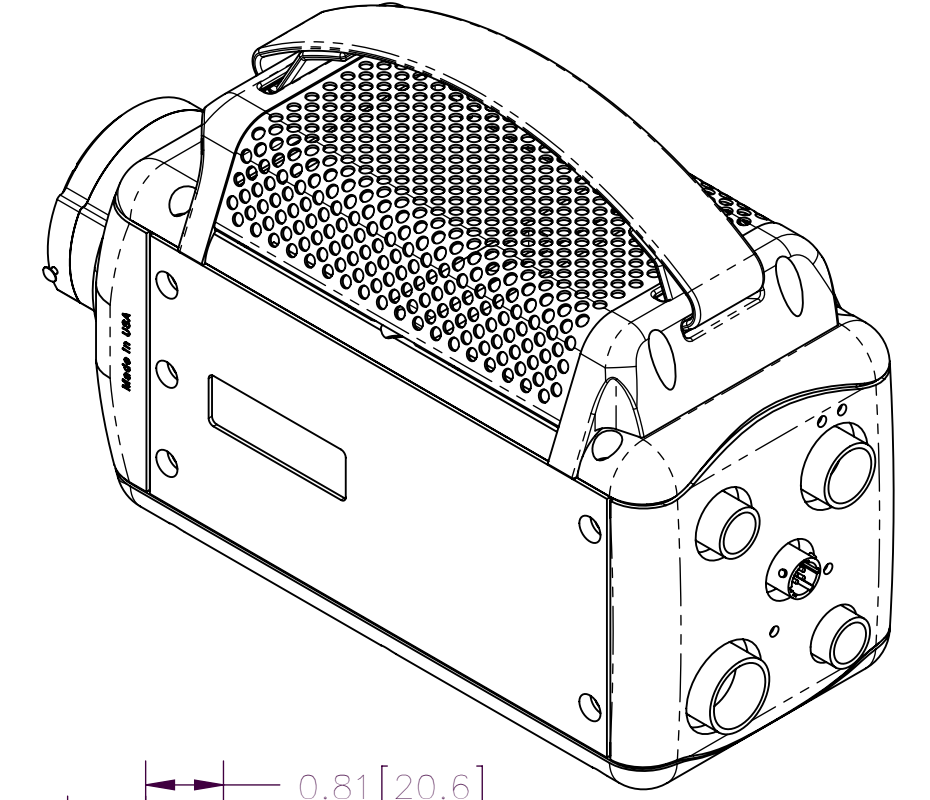
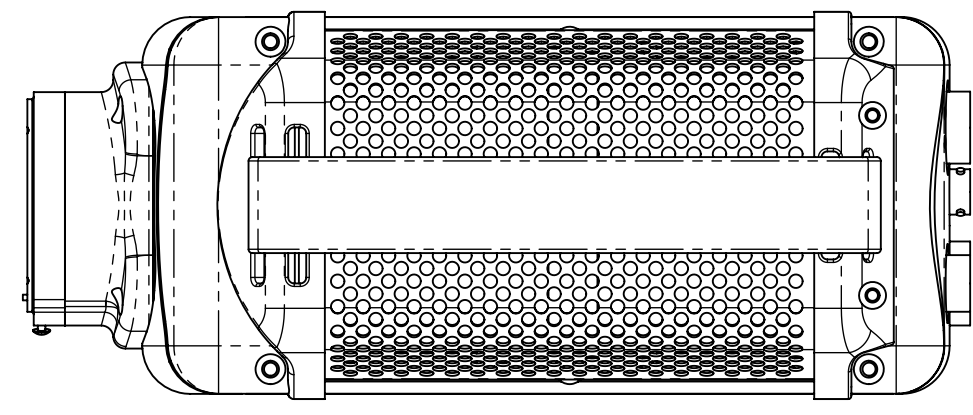
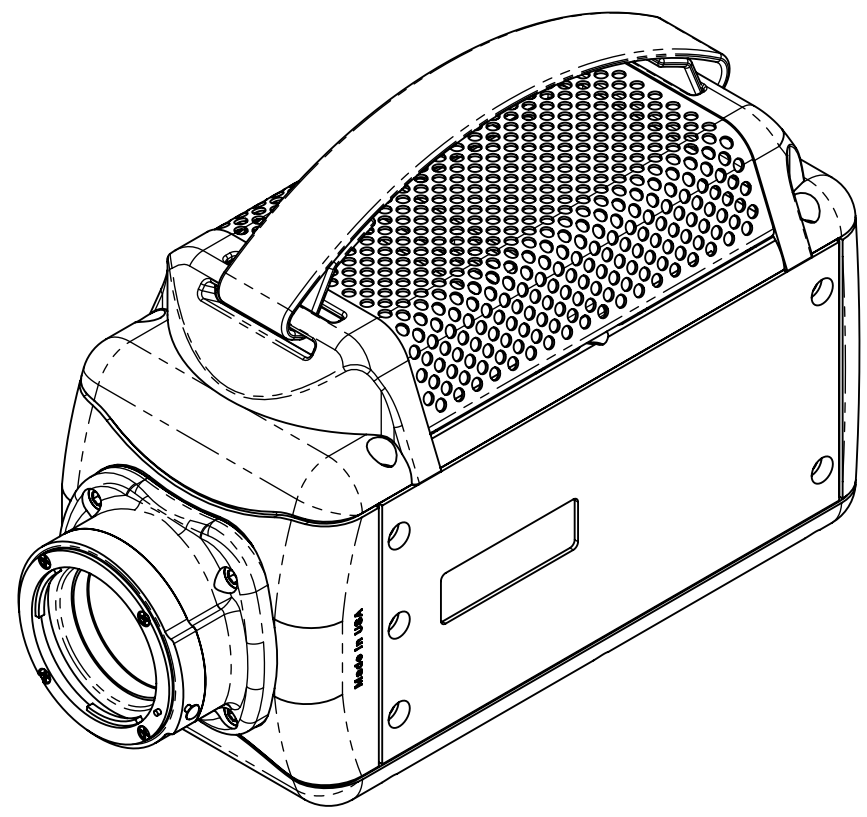


REVISIONS HISTORY			
REV.	DESCRIPTION	DRAWN BY	APP BY
1	INITIAL RELEASE	B.E.	
2	CORRECTED DIMENSIONS TAKEN FROM F-MOUNT CHANGED DECIMAL PLACES FROM 0.000[0.00] TO 0.00[0.0]	B.E.	12/16/08



C-MOUNT TO SENSOR SURFACE

NOTES:
1. CAMERA SHOWN WITHOUT LENS OR INTERCONNECTING CABLES.

PROPRIETARY AND CONFIDENTIAL
THE INFORMATION CONTAINED IN THIS DRAWING IS THE SOLE PROPERTY OF VISION RESEARCH. ANY REPRODUCTION IN PART OR AS A WHOLE WITHOUT THE WRITTEN PERMISSION OF VISION RESEARCH IS PROHIBITED.

UNLESS OTHERWISE SPECIFIED:		NAME	DATE	VISION RESEARCH 100 Dey Road Wayne, New Jersey 07470 USA 973-696-4500 TITLE:	
DIMENSIONS ARE IN MM[INCH]		DRAWN	B.E.		8/27/07
TOLERANCES:		CHECKED			
FRACTIONAL ± 1/64		ENG APPR.			
ANGULAR: MACH ± 0.5		MFG APPR.			
ONE PLACE ± 0.25[±0.010]		Q.A.			
TWO PLACE ± 0.13[±0.005]		SIZE	DWG. NO.	REV	
INTERPRET GEOMETRIC TOLERANCING PER: MATERIAL FINISH		C ZDOC-PRJLEG-CD-0001		2	
NEXT ASSY	USED ON	SCALE 1:2	WEIGHT:	SHEET 1 OF 1	
APPLICATION		DO NOT SCALE DRAWING			