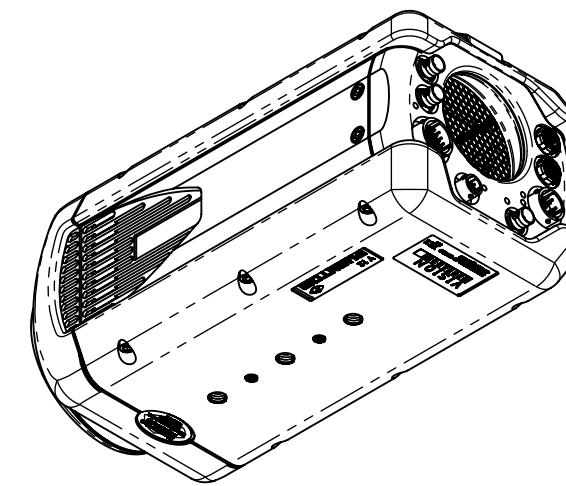
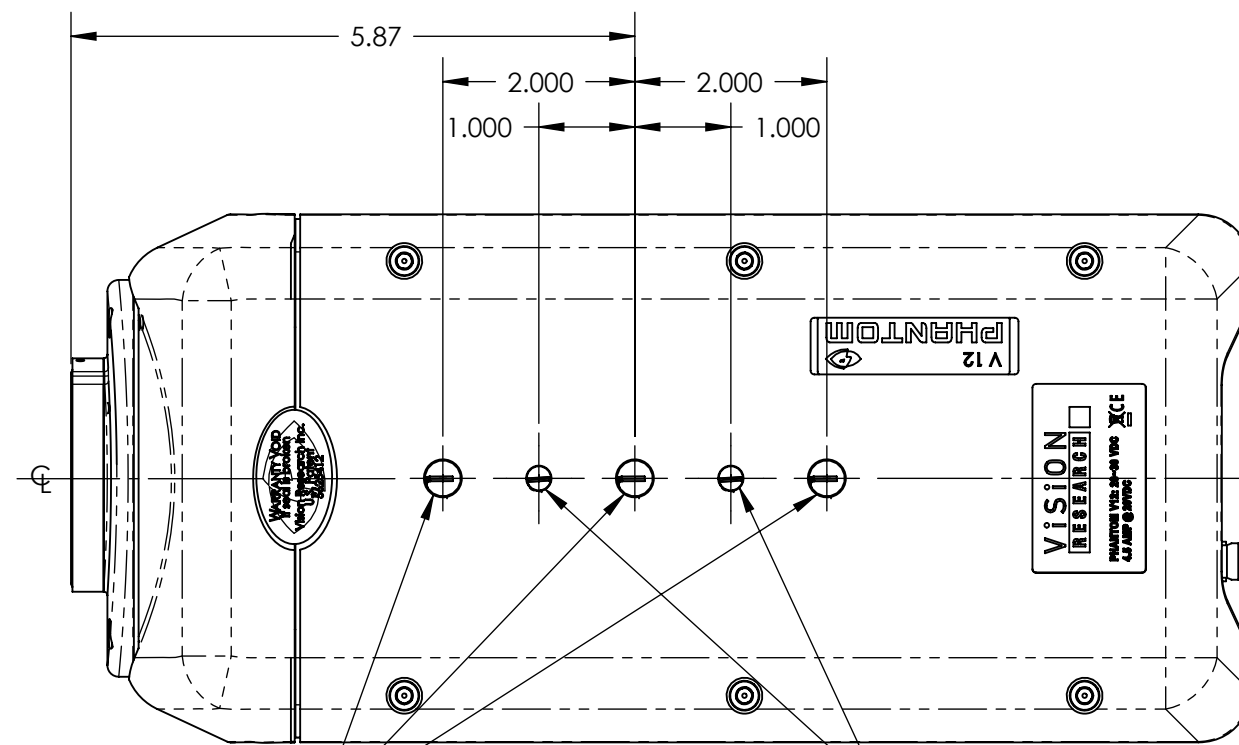
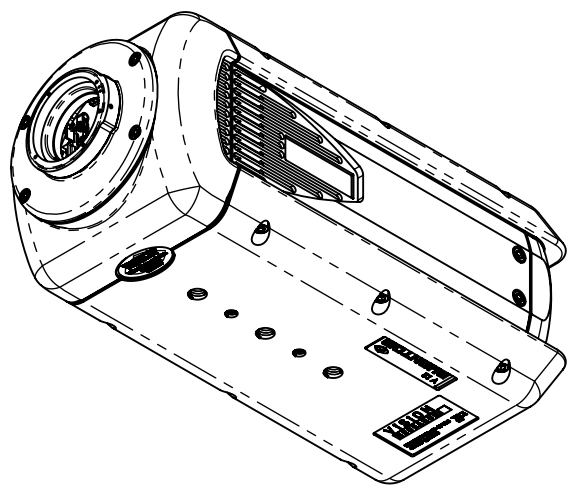
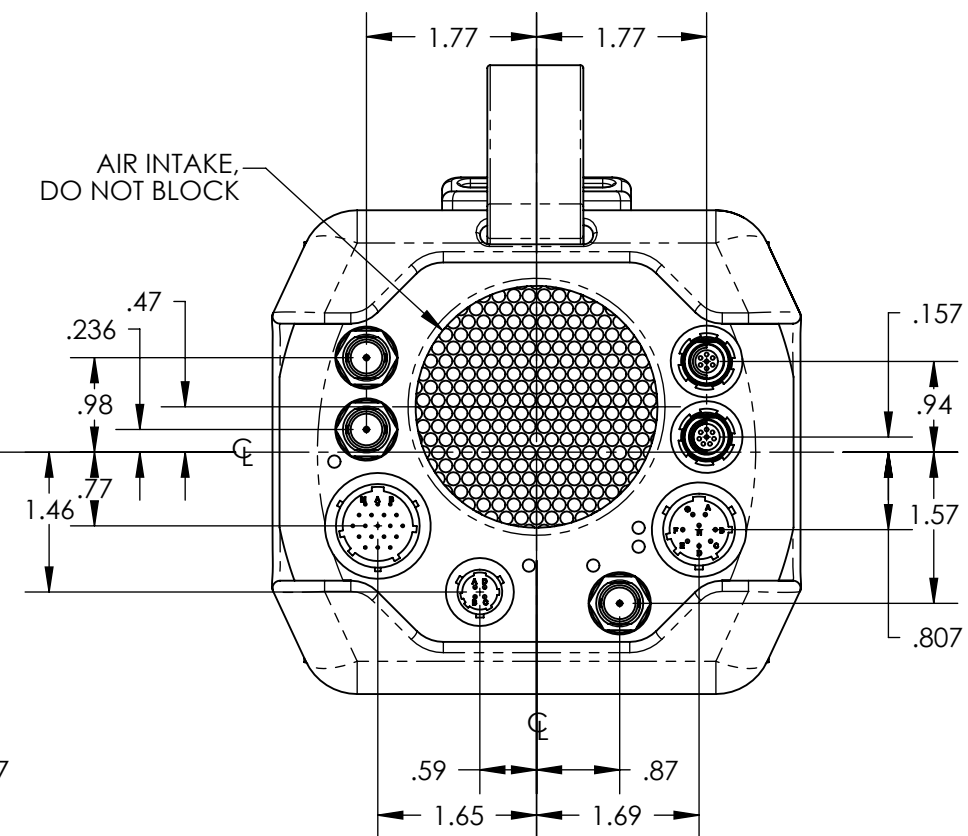
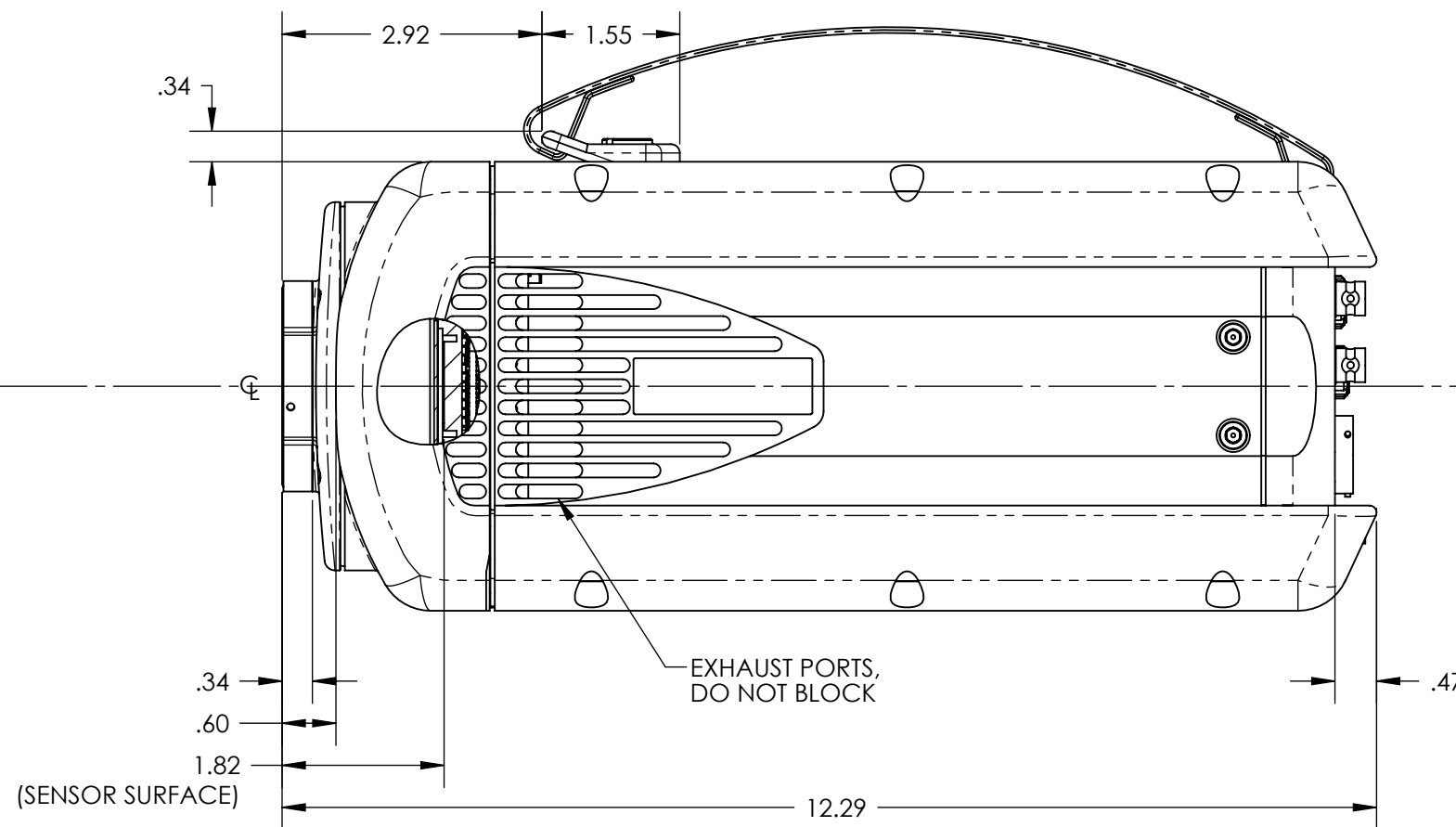
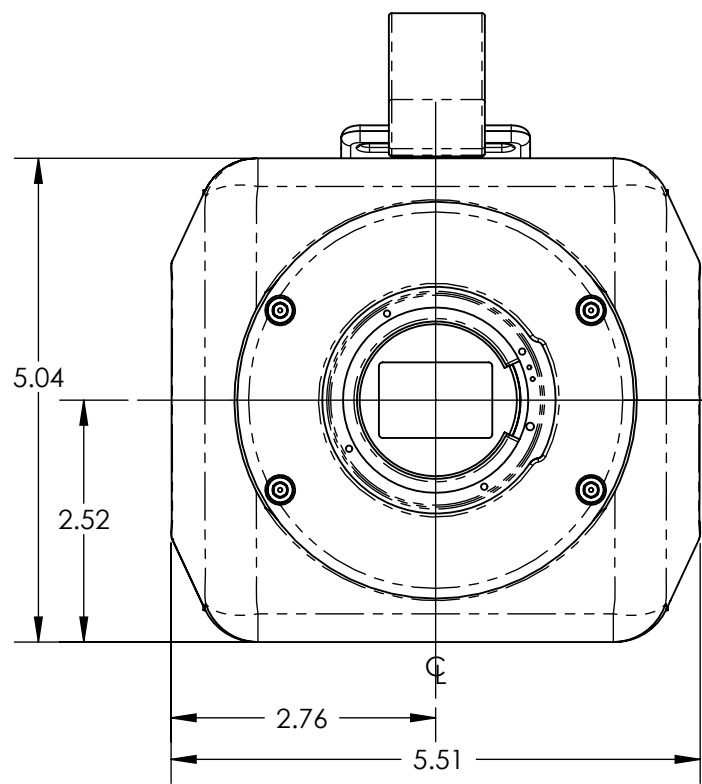
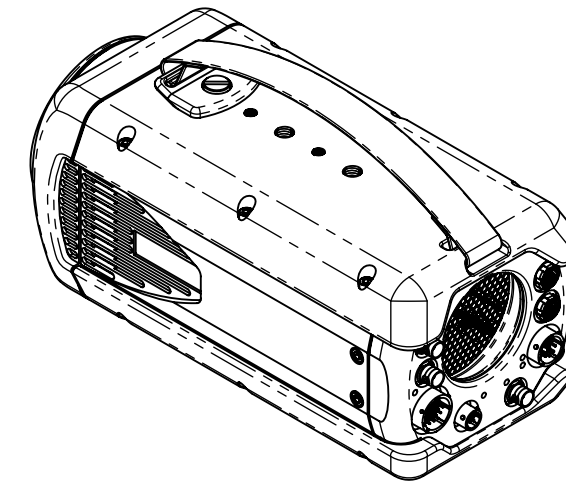
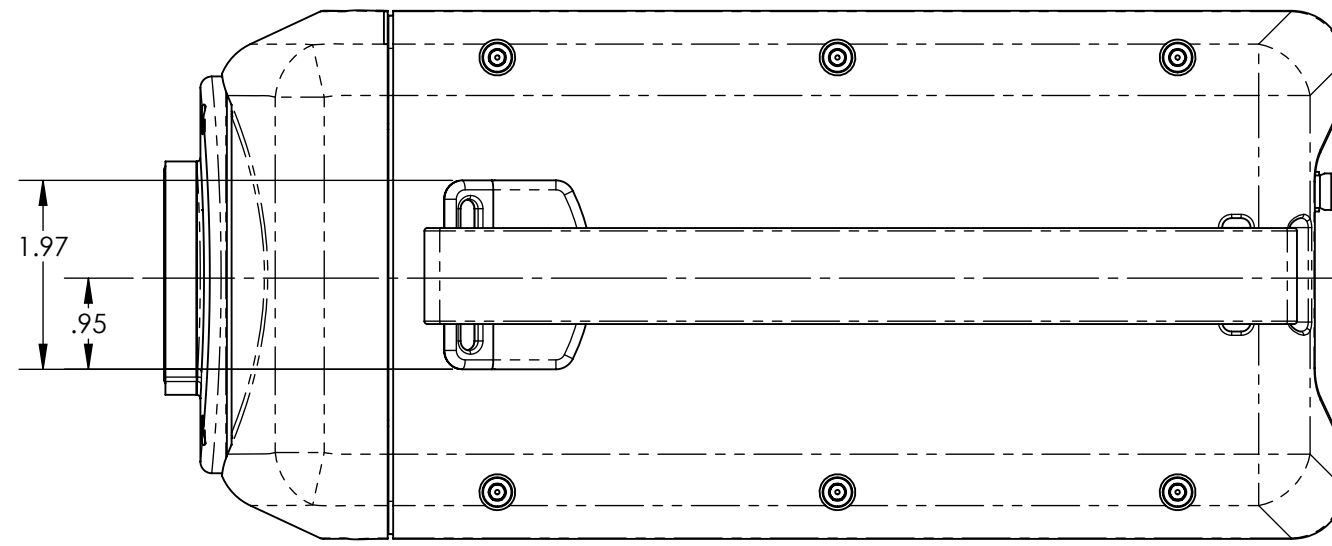
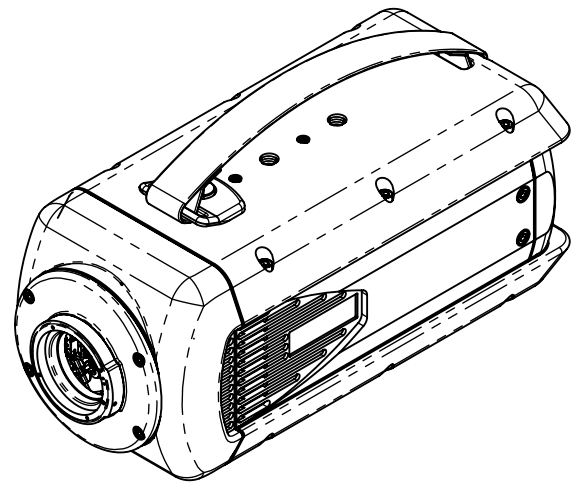


REVISIONS HISTORY			
REV.	DESCRIPTION	DRN BY	APP'D BY
1	INITIAL RELEASE	B.E. 1/23/08	
2	REDRAWN TO REFLECT DESIGN CHANGES	B.E. 6/9/08	



(MOUNTING LOCATIONS TYPICAL TOP SURFACE)

NOTE:

- CAMERA SHOWN WITHOUT LENS OR INTERCONNECTING CABLES.
- THIS PRODUCT IS AIR COOLED. TO PREVENT OVERHEATING DO NOT BLOCK AIR INTAKE OR EXHAUST.

PROPRIETARY AND CONFIDENTIAL
 THE INFORMATION CONTAINED IN THIS DRAWING IS THE SOLE PROPERTY OF VISION RESEARCH. ANY REPRODUCTION IN PART OR AS A WHOLE WITHOUT THE WRITTEN PERMISSION OF VISION RESEARCH IS PROHIBITED.

UNLESS OTHERWISE SPECIFIED:		NAME	DATE
DIMENSIONS ARE IN INCHES		DRAWN	B.E. 1/23/08
TOLERANCES:		CHECKED	
FRACTIONAL ± 1/64		ENG APPR.	
ANGULAR: MACH ± 0.5		MFG APPR.	
TWO PLACE ± 0.010		Q.A.	
THREE PLACE ± 0.005			
INTERPRET GEOMETRIC TOLERANCING PER:			
MATERIAL			
FINISH			
PHANTOM V12			
NEXT ASSY	USED ON		
APPLICATION	DO NOT SCALE DRAWING		

VISION RESEARCH
100 Dey Road Wayne, New Jersey 07470 USA 973-696-4500
TITLE: PHANTOM V12 MEASURED DRAWING
SIZE DWG. NO. REV C ZDOC-PRJ104-CD-0001 2
SCALE 1:1 SHEET 1 OF 1

