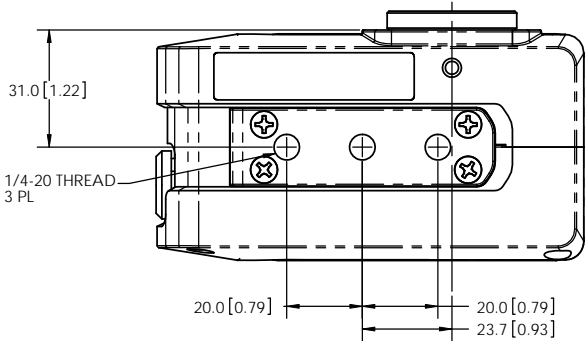
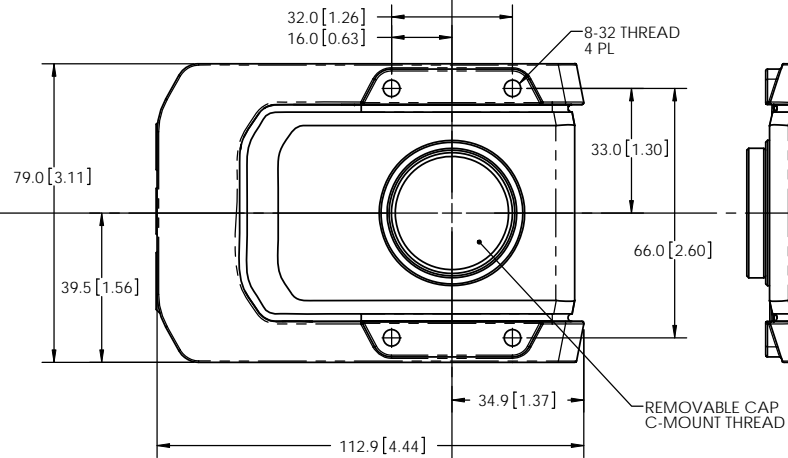
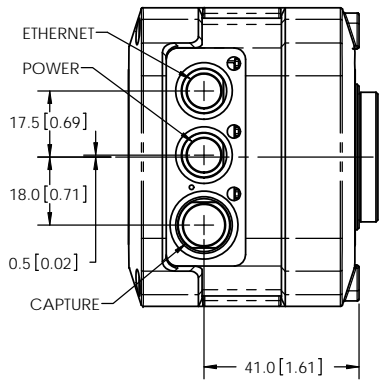
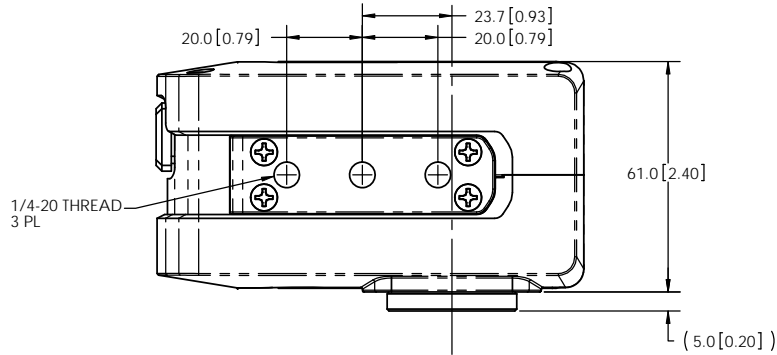


REVISIONS HISTORY			
REV.	DESCRIPTION	DRN BY	APP'D BY
A	INITIAL RELEASE	B.E.	8/27/08



PROPRIETARY AND CONFIDENTIAL  
 THE INFORMATION CONTAINED IN THIS DRAWING IS THE SOLE PROPERTY OF VISION RESEARCH. ANY REPRODUCTION IN PART OR AS A WHOLE WITHOUT THE WRITTEN PERMISSION OF VISION RESEARCH IS PROHIBITED.

UNLESS OTHERWISE SPECIFIED:	
DIMENSIONS ARE IN MM(INCH)	
TOLERANCES:	
FRACTIONALS: 1/64	
ANGULAR: MACH 1:0.5	
ONE PLACE: ±0.25 (±0.010)	
TWO PLACE: ±0.13 (±0.005)	
INTERPRET GEOMETRIC TOLERANCING PER:	
MATERIAL:	
FINISH:	
NEXT ASSY:	USED ON:
APPLICATION:	DO NOT SCALE DRAWING

NAME	DATE
DRAWN: B.E.	8/27/07
CHECKED:	
ENG APPR:	
MEG APPR:	
D.A.	
COMMENTS:	

**VISION RESEARCH**  
 100 Dey Road  
 Wayne, New Jersey 07470 USA  
 973-696-4500

TITLE:  
**MIRO3 MEASURED DRAWING**

SIZE	DWG. NO.	REV
<b>C</b>	<b>VRI-MIRO3</b>	<b>A</b>

SCALE 1:1 WEIGHT: SHEET 1 OF 1