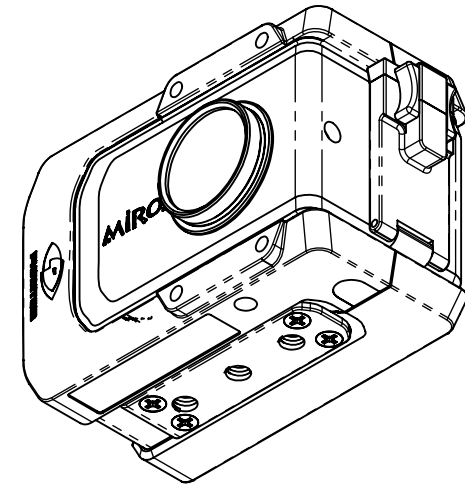
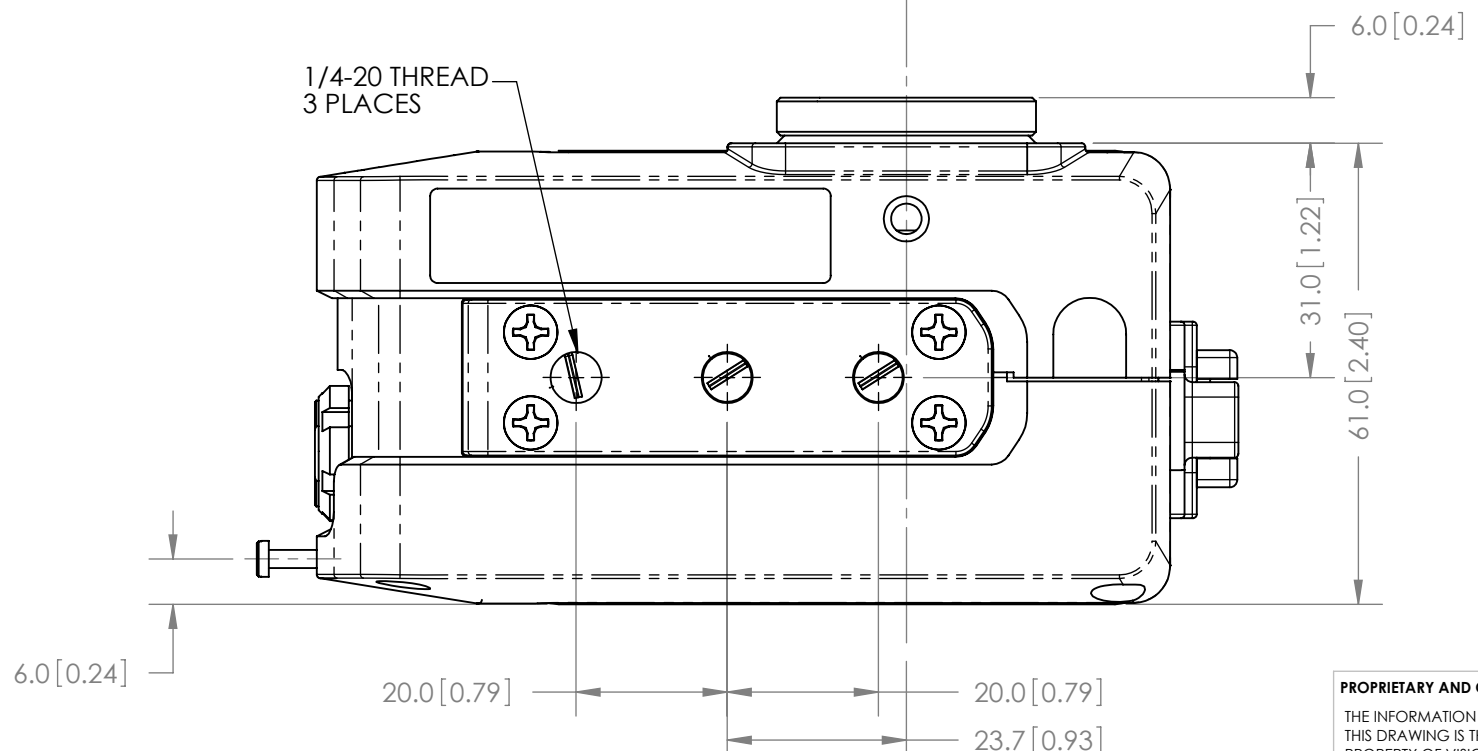
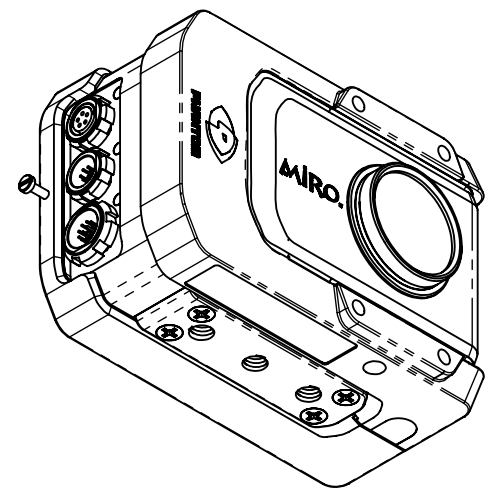
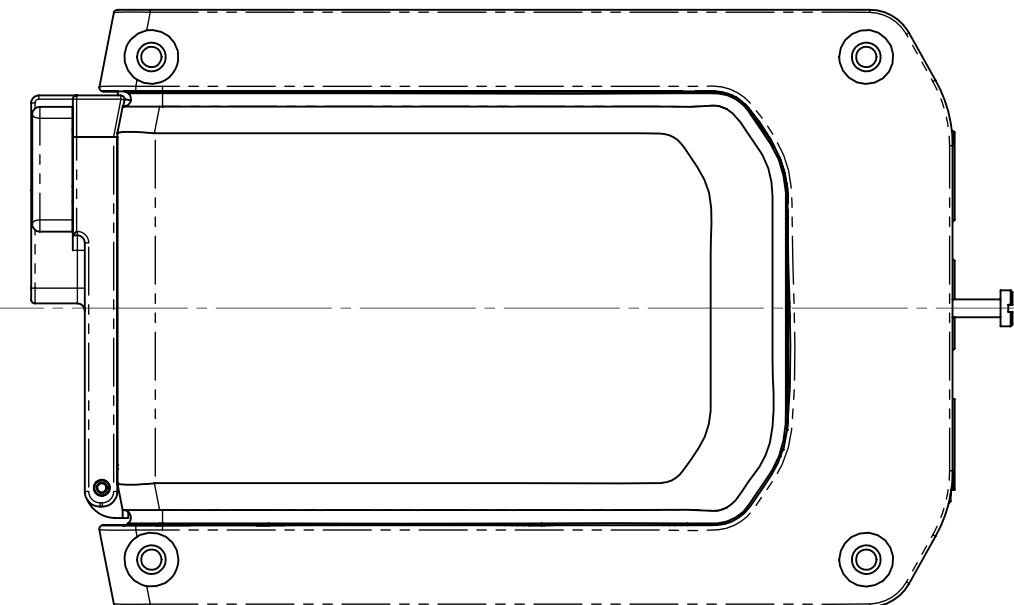
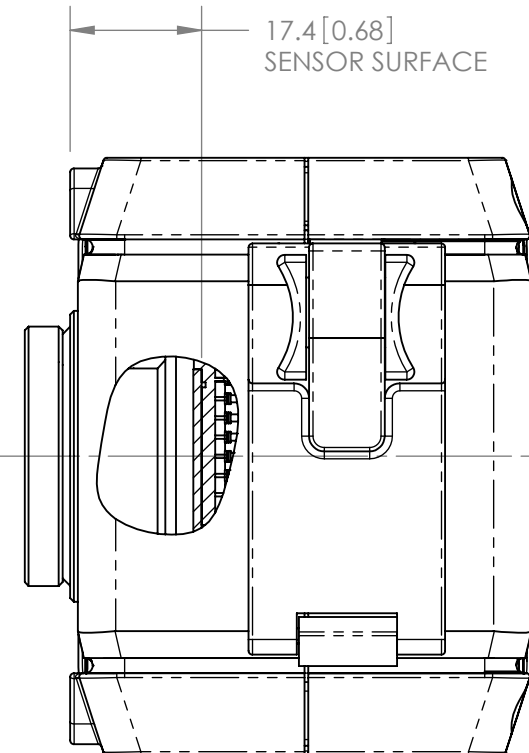
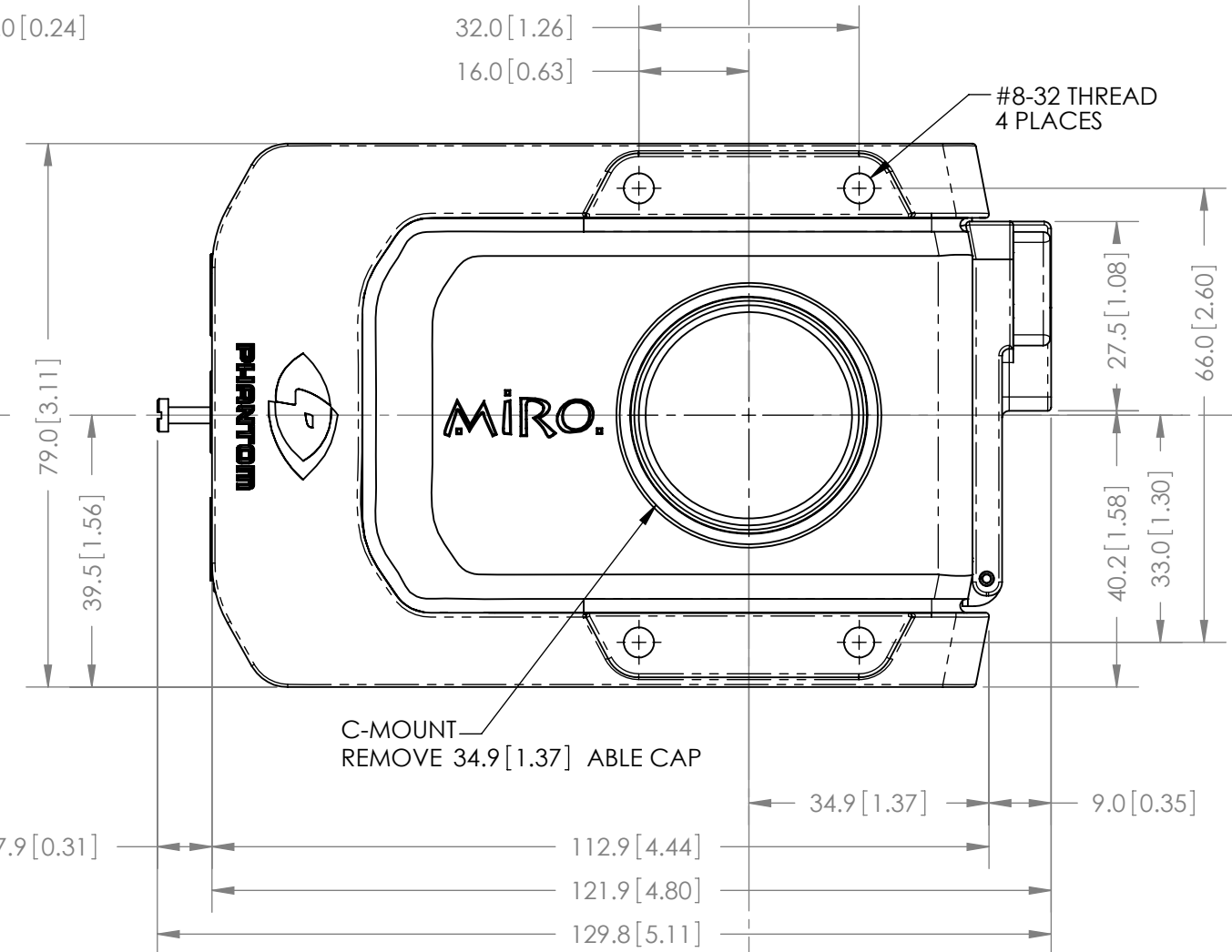
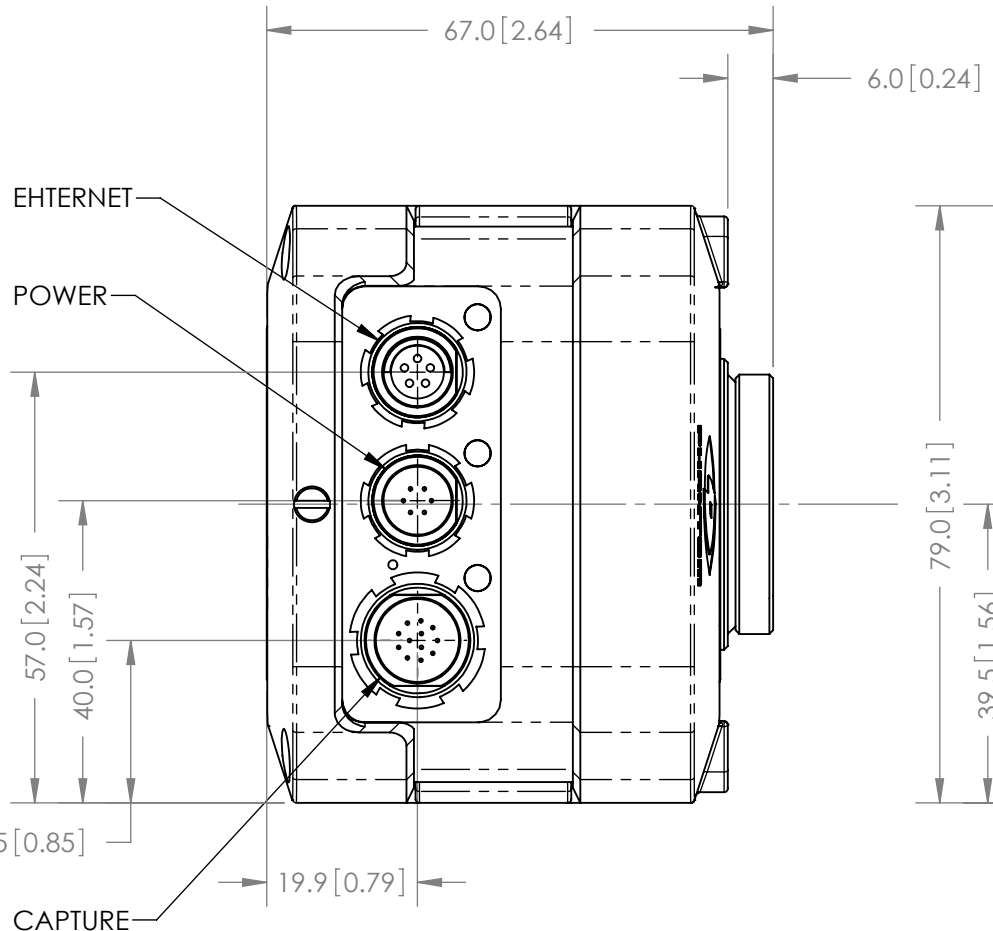
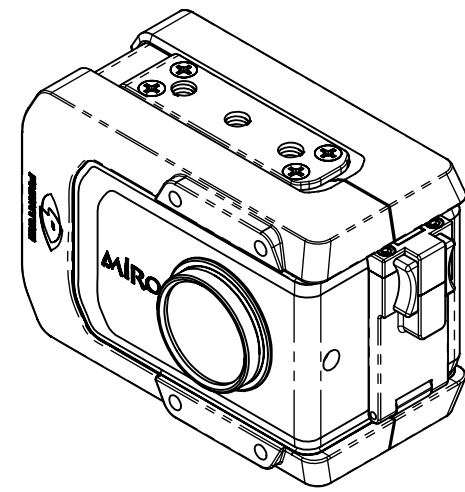
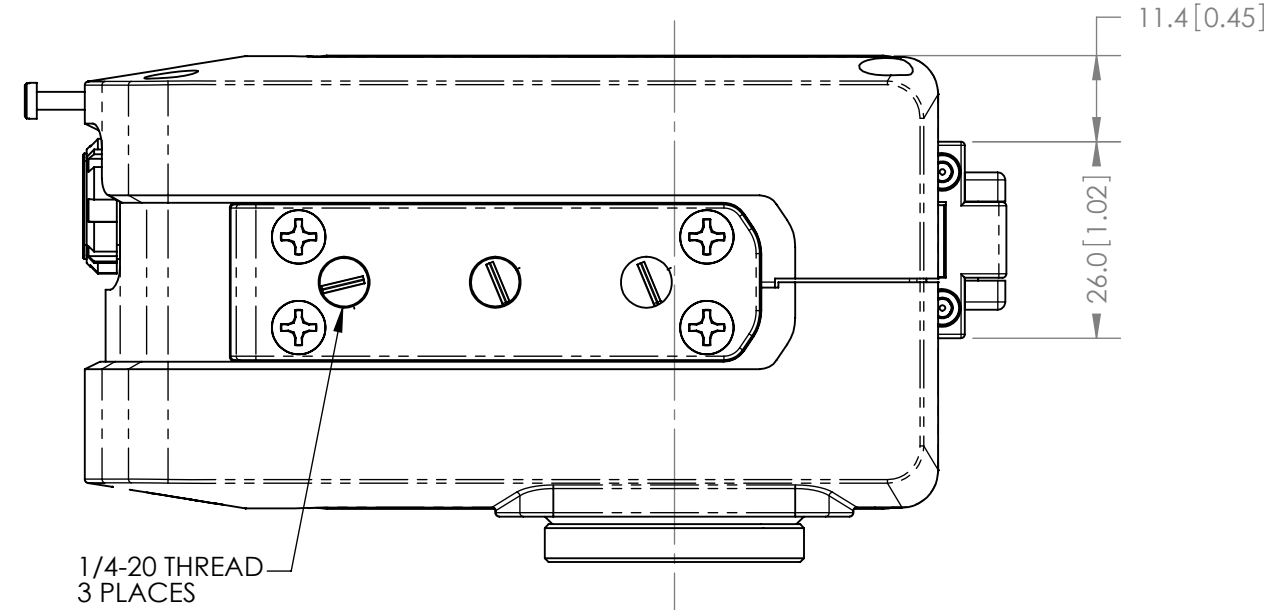
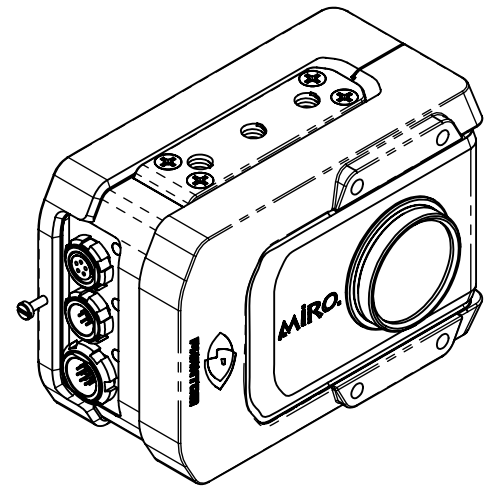


REVISIONS HISTORY			
REV.	DESCRIPTION	DRN BY	APP'D BY
1	INITIAL RELEASE		



PROPRIETARY AND CONFIDENTIAL
 THE INFORMATION CONTAINED IN THIS DRAWING IS THE SOLE PROPERTY OF VISION RESEARCH. ANY REPRODUCTION IN PART OR AS A WHOLE WITHOUT THE WRITTEN PERMISSION OF VISION RESEARCH IS PROHIBITED.

UNLESS OTHERWISE SPECIFIED:	NAME	DATE
DIMENSIONS ARE IN MM	B.E.	11/14/08
TOLERANCES:		
FRACTIONAL ±1/64		
ANGULAR: MACH ±0.5		
ONE PLACE ±0.25		
TWO PLACE ±0.13		
INTERPRET GEOMETRIC TOLERANCING PER:		
MATERIAL		
FINISH		
APPLICATION		

DRAWN	B.E.	11/14/08
CHECKED		
ENG APPR.		
MFG APPR.		
Q.A.		
SIZE	C	

VISION RESEARCH
 100 Dey Road
 Wayne, New Jersey 07470 USA
 973-696-4500

TITLE: **CUSTOMER DRAWING, MIRO AIRBORNE WITH COMPACT FLASH**

DWG. NO. **ZDOC-PRJ100-CD-0003** REV **1**

SCALE 1:1 SHEET 1 OF 1