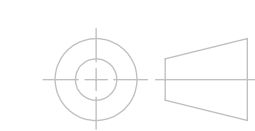
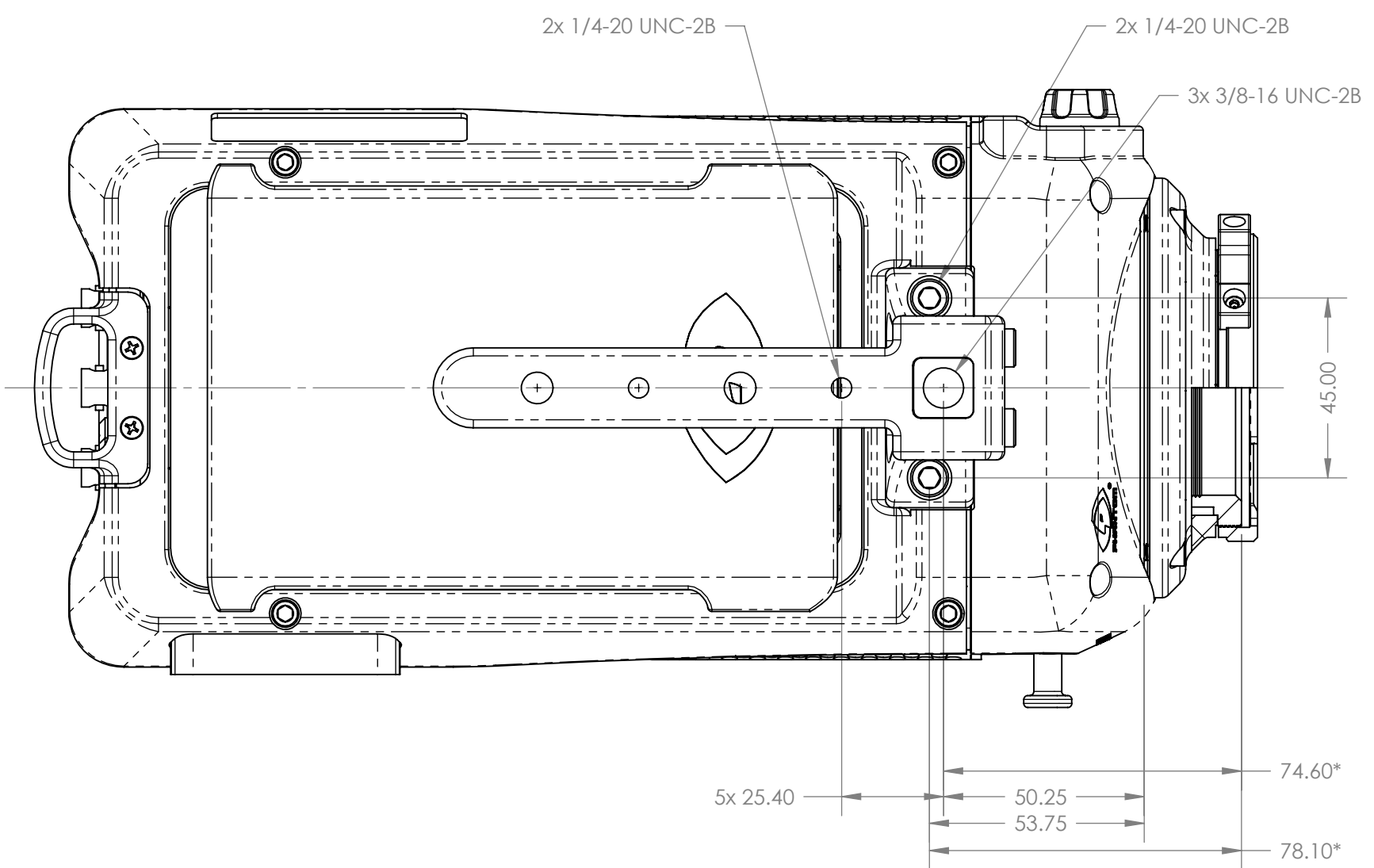
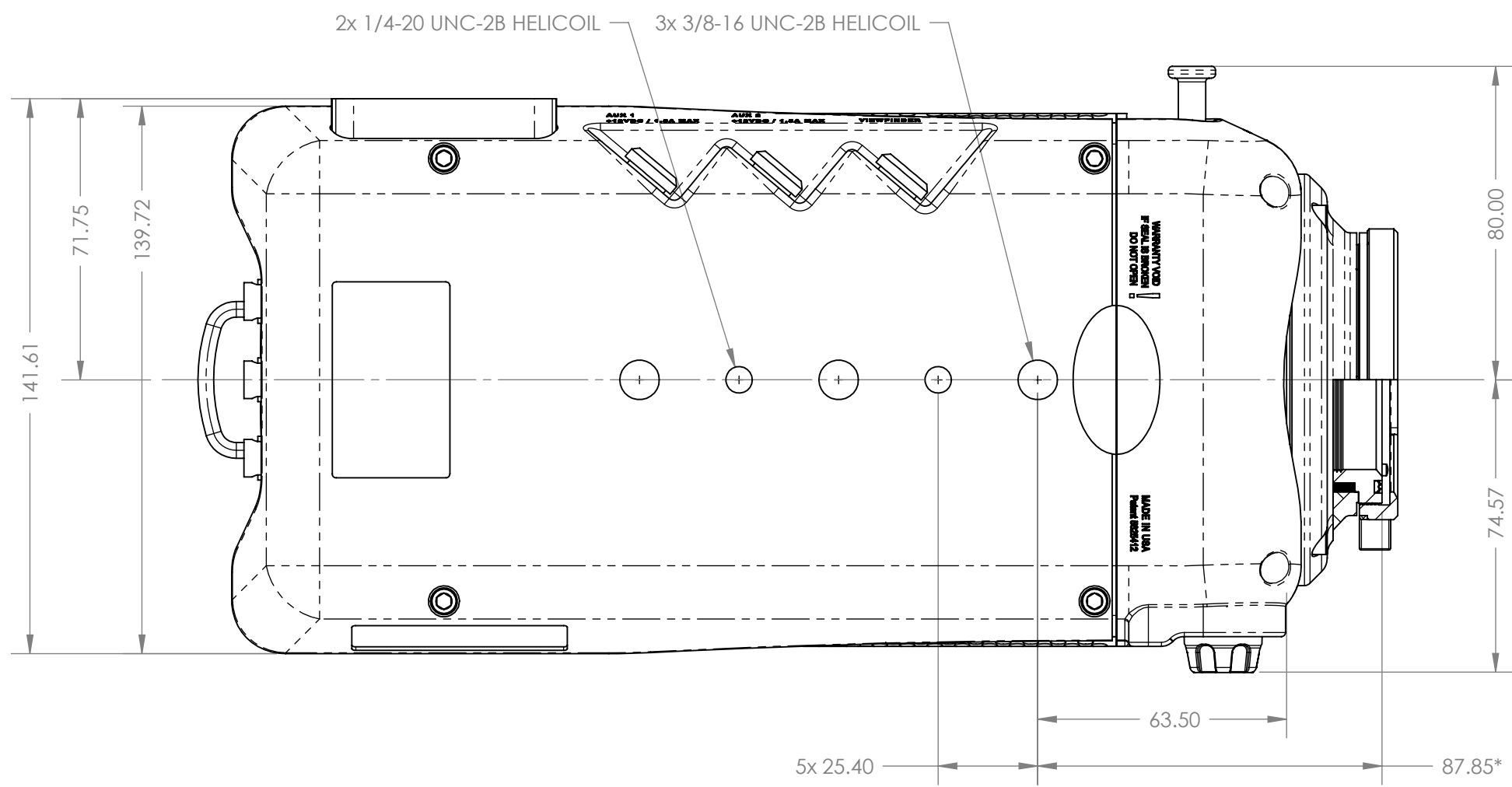


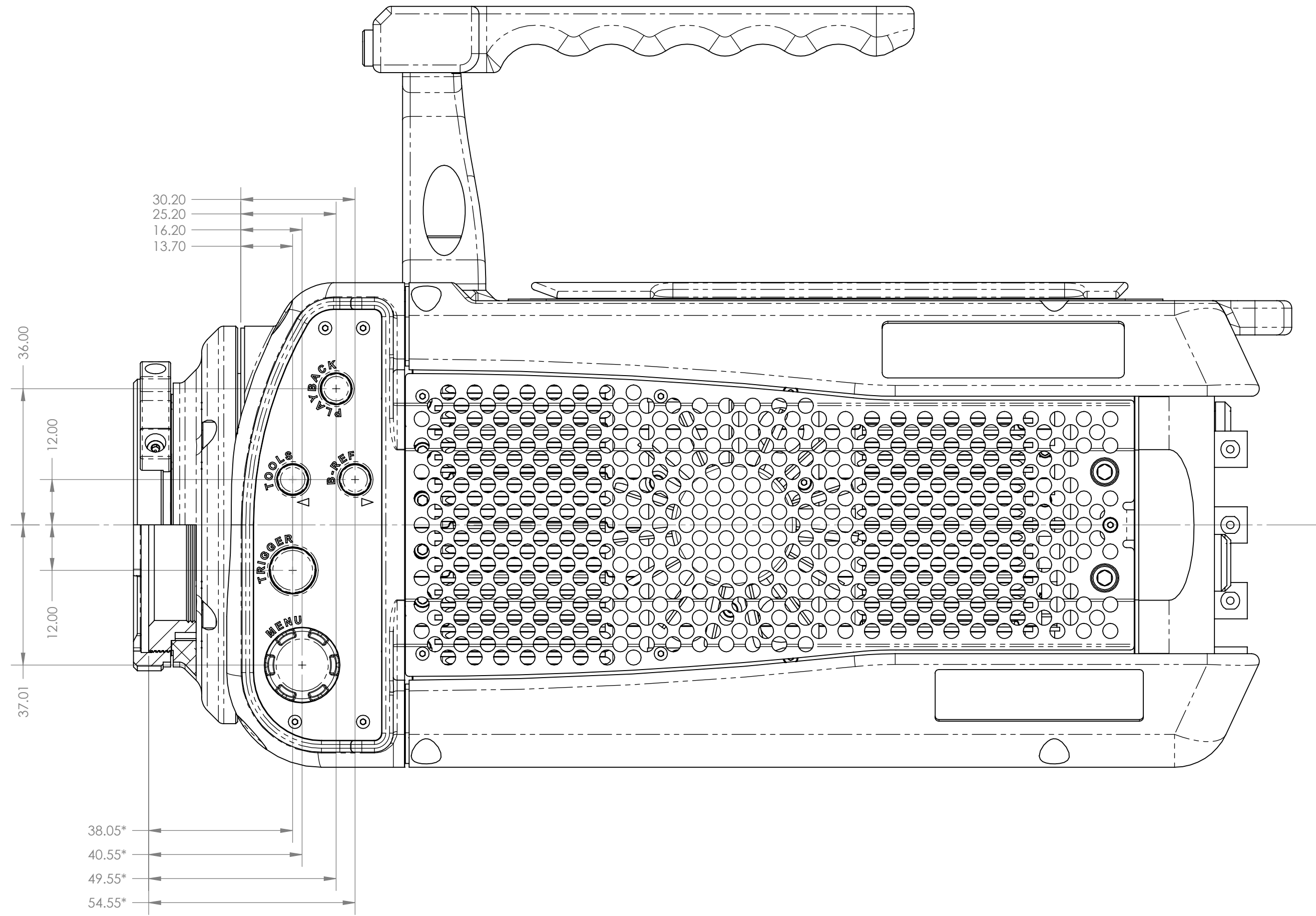
* - ALL VALUES MAKRED ARE BASED UPON 52.00mm BACKFOCUS DISTANCE,
LOW PASS FILTER INSTALLATION INCREASES THESE VALUES

PROPRIETARY AND CONFIDENTIAL THE INFORMATION CONTAINED IN THIS DRAWING IS THE SOLE PROPERTY OF VISION RESEARCH. ANY REPRODUCTION IN PART OR AS A WHOLE WITHOUT THE WRITTEN PERMISSION OF VISION RESEARCH IS PROHIBITED.		UNLESS OTHERWISE SPECIFIED: DIMENSIONS ARE IN MM TOLERANCES: FRACTIONAL: ±1/64 ANGULAR: MACH ±0.5 ONE PLACE ±0.25 TWO PLACE ±0.13 INTERPRET GEOMETRIC TOLERANCING PER: MATERIAL: FINISH: DO NOT SCALE DRAWING		NAME P.J.	DATE 6-23-10	VISION RESEARCH 100 Dey Road Wayne, New Jersey 07470 USA 973-696-4500 TITLE: FLEX 2K CUSTOMER DRAWING SIZE DWG. NO. REV C VRI-FLEX2K T SCALE 1:5 SHEET 1 OF 5
NEXT ASSY	USED ON	DRAWN	ENG APPR.	MFG APPR.	Q.A.	
						
APPLICATION						



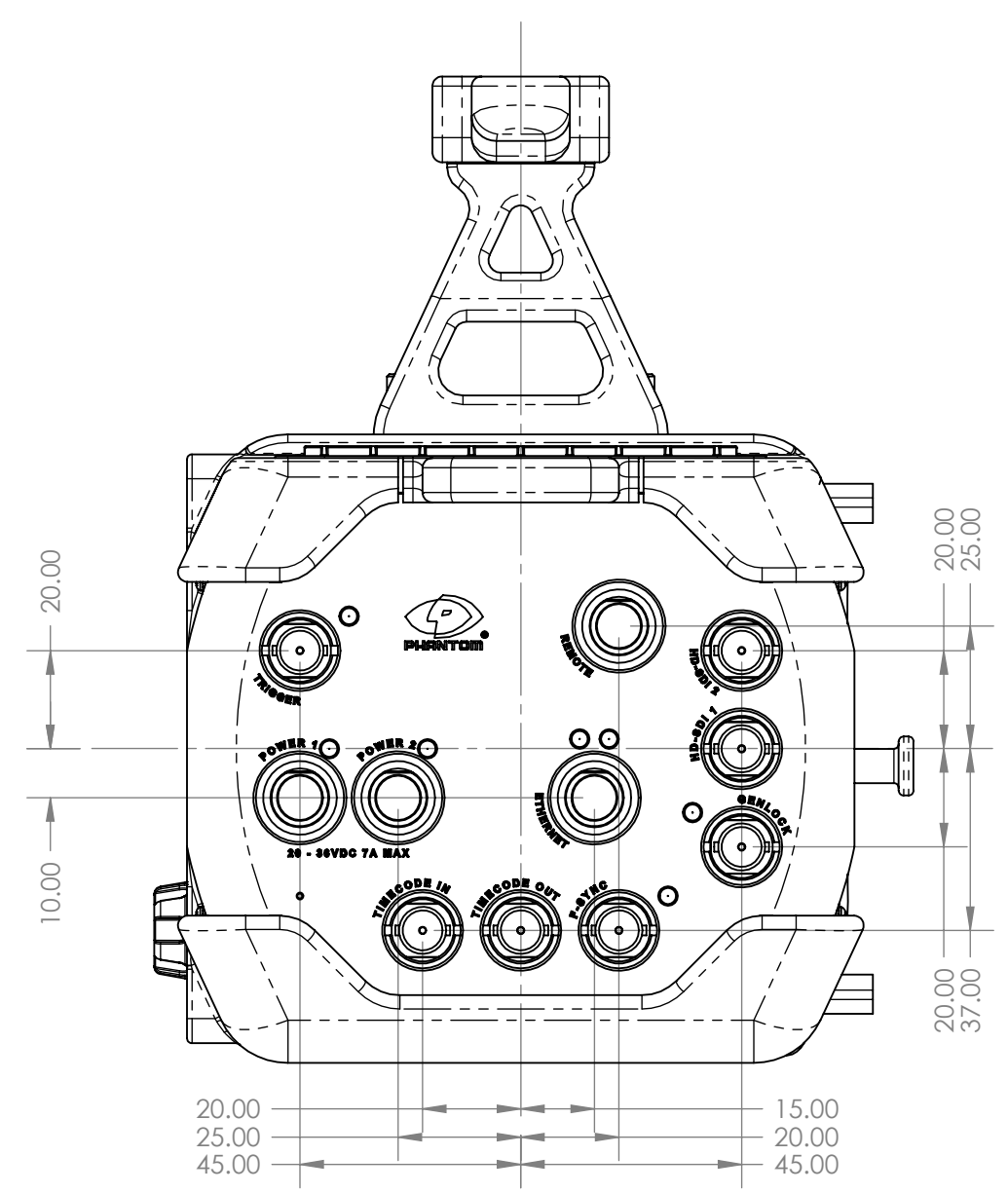
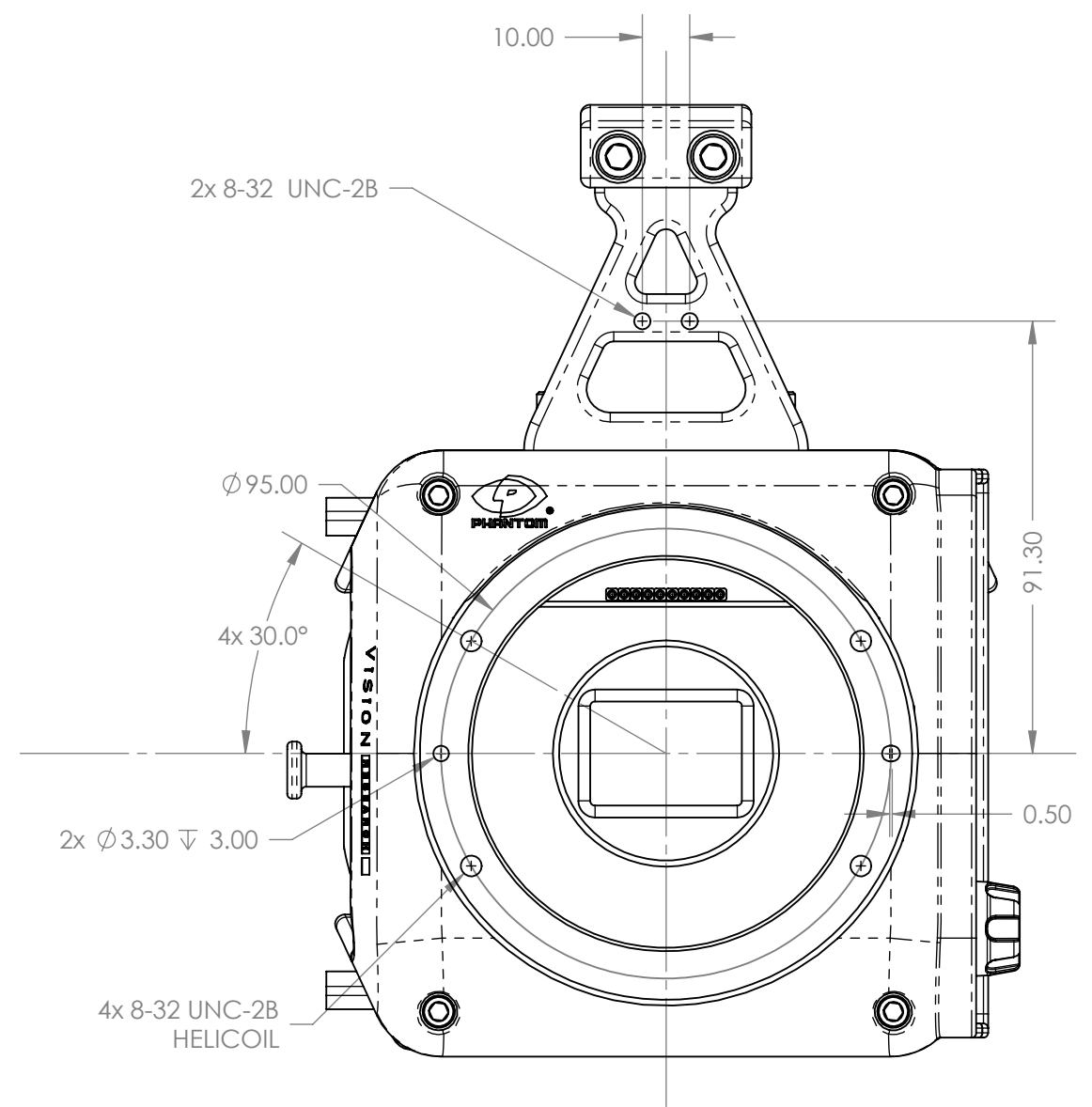
* - ALL VALUES MARKED ARE BASED UPON 52.00mm BACKFOCUS DISTANCE, LOW PASS FILTER INSTALLATION INCREASES THESE VALUES

PROPRIETARY AND CONFIDENTIAL THE INFORMATION CONTAINED IN THIS DRAWING IS THE SOLE PROPERTY OF VISION RESEARCH. ANY REPRODUCTION IN PART OR AS A WHOLE WITHOUT THE WRITTEN PERMISSION OF VISION RESEARCH IS PROHIBITED.		UNLESS OTHERWISE SPECIFIED: DIMENSIONS ARE IN MM TOLERANCES: FRACTIONAL: ±1/64 ANGULAR: MACH±0.5 ONE PLACE ±0.25 TWO PLACE ±0.13		NAME P.J.	DATE 6-23-10	VISION RESEARCH 100 Dey Road Wayne, New Jersey 07470 USA 973-696-4500 TITLE: FLEX 2K CUSTOMER DRAWING
NEXT ASSY		USED ON		ENG APPR.	MFG APPR.	
APPLICATION		DO NOT SCALE DRAWING				SCALE 1:5 SHEET 2 OF 5



* - ALL VALUES MAKRED ARE BASED UPON 52.00mm BACKFOCUS DISTANCE,
LOW PASS FILTER INSTALLATION INCREASES THESE VALUES

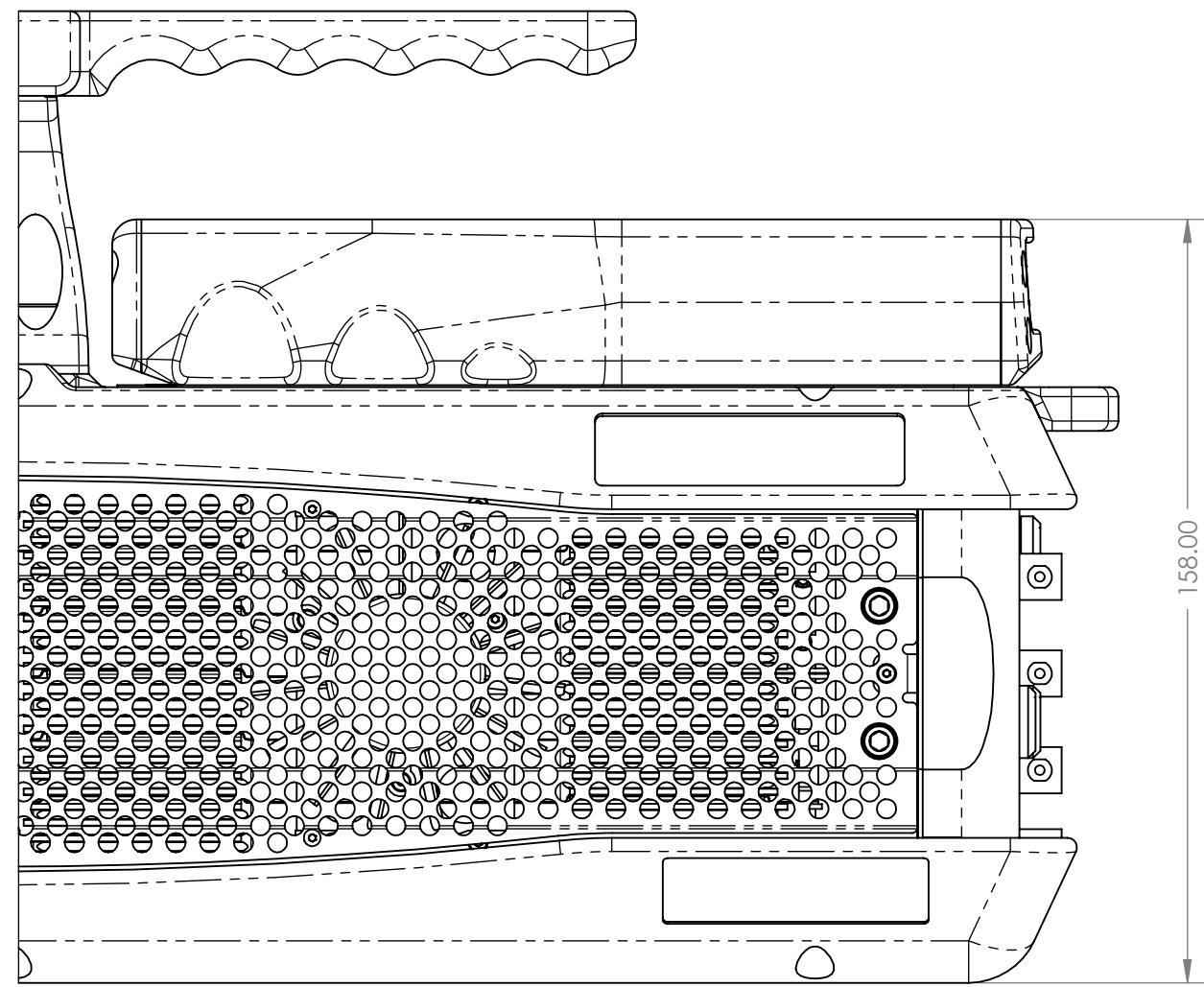
PROPRIETARY AND CONFIDENTIAL THE INFORMATION CONTAINED IN THIS DRAWING IS THE SOLE PROPERTY OF VISION RESEARCH. ANY REPRODUCTION IN PART OR AS A WHOLE WITHOUT THE WRITTEN PERMISSION OF VISION RESEARCH IS PROHIBITED.		UNLESS OTHERWISE SPECIFIED: DIMENSIONS ARE IN MM TOLERANCES: FRACTIONAL: ±1/64 ANGULAR: MACH ±0.5 ONE PLACE: ±0.25 TWO PLACE: ±0.13		NAME P.J.	DATE 6-23-10	VISION RESEARCH 100 Dey Road Wayne, New Jersey 07470 USA 973-696-4500 TITLE: FLEX 2K CUSTOMER DRAWING SIZE DWG. NO. REV C VRI-FLEX2K T SCALE 1:5 SHEET 3 OF 5
NEXT ASSY	USED ON	INTERPRET GEOMETRIC TOLERANCING PER:	MATERIAL	ENG APPR.	MFG APPR.	
APPLICATION		FINISH	Q.A.			
		DO NOT SCALE DRAWING				



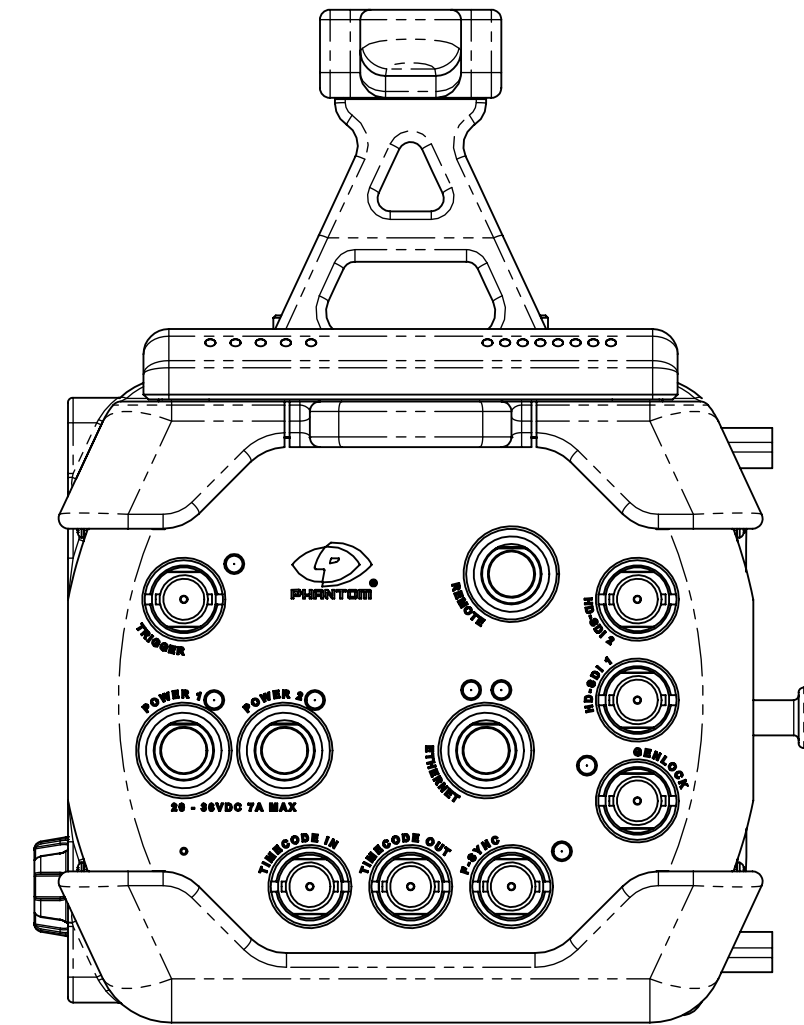
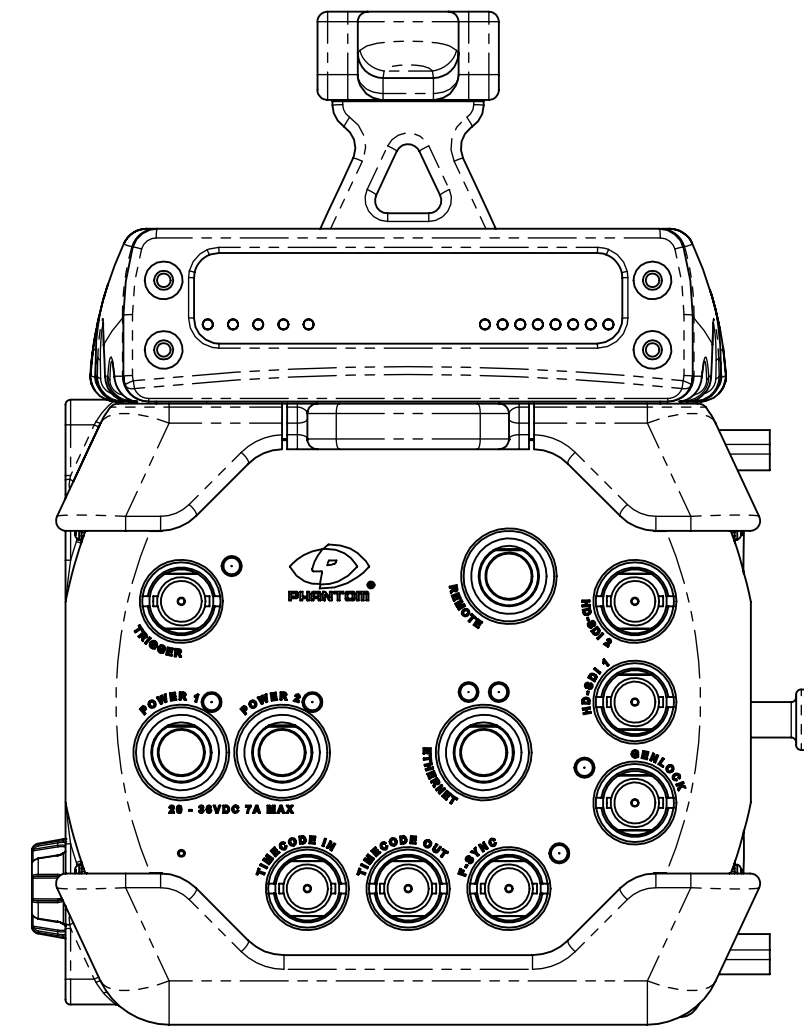
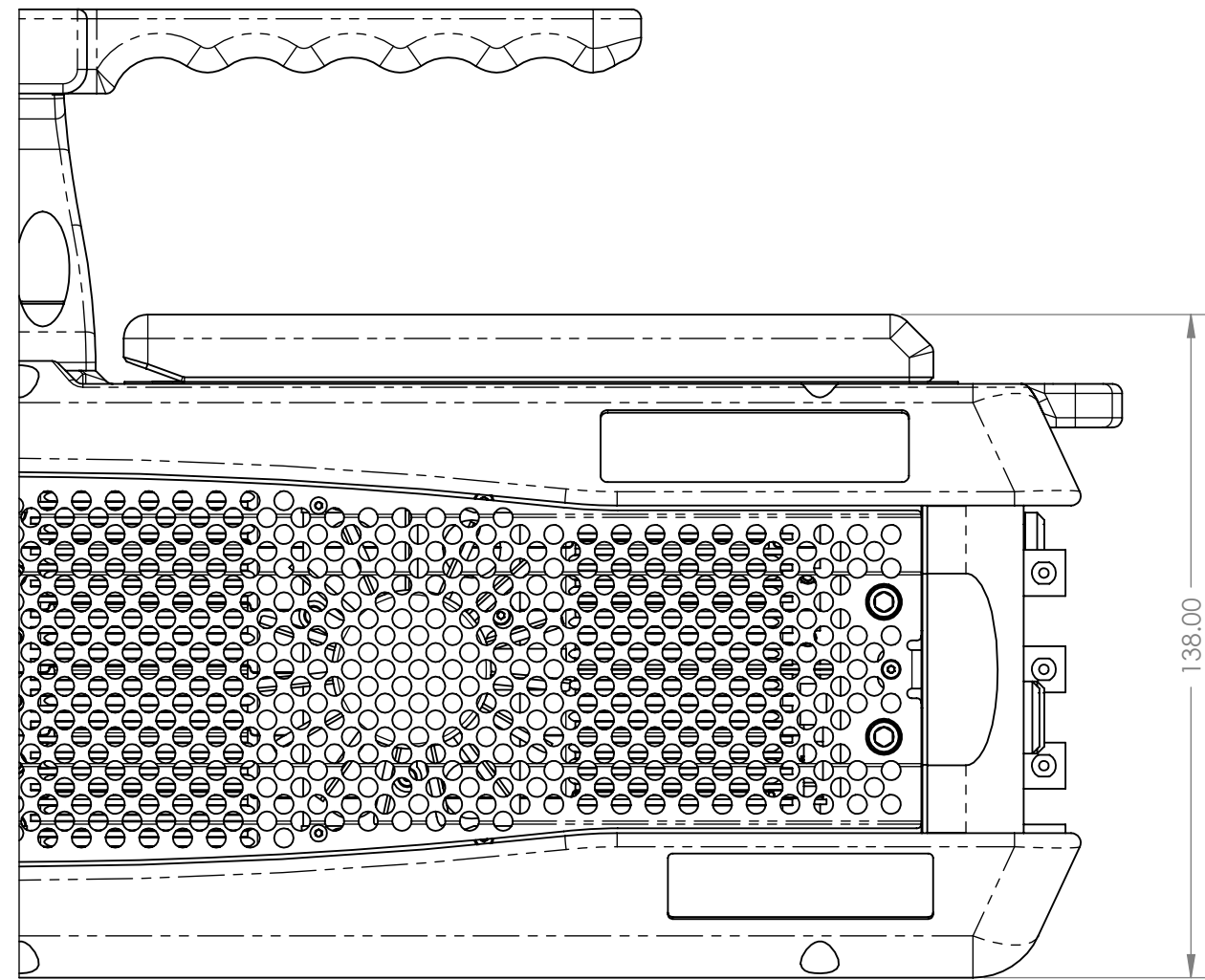
PROPRIETARY AND CONFIDENTIAL THE INFORMATION CONTAINED IN THIS DRAWING IS THE SOLE PROPERTY OF VISION RESEARCH. ANY REPRODUCTION IN PART OR AS A WHOLE WITHOUT THE WRITTEN PERMISSION OF VISION RESEARCH IS PROHIBITED.		UNLESS OTHERWISE SPECIFIED:	NAME	DATE	VISION RESEARCH 100 Dey Road Wayne, New Jersey 07470 USA 973-696-4500 TITLE: FLEX 2K CUSTOMER DRAWING	
		DIMENSIONS ARE IN MM	DRAWN	PJ		6-23-10
		TOLERANCES:	CHECKED			
		FRACTIONAL: ± 1/64	ENG APPR.			
	ANGULAR: MACH ± 0.5	ONE PLACE ± 0.25	MFG APPR.			
	TWO PLACE ± 0.13	INTERPRET GEOMETRIC TOLERANCING PER:	Q.A.			
	MATERIAL	FINISH				
NEXT ASSY	USED ON	DO NOT SCALE DRAWING				
APPLICATION						

SIZE	DWG. NO.	REV
C	VRI-FLEX2K	T
SCALE 1:5		SHEET 4 OF 5

CINEMAG



CINEMAG2



PROPRIETARY AND CONFIDENTIAL
 THE INFORMATION CONTAINED IN THIS DRAWING IS THE SOLE PROPERTY OF VISION RESEARCH. ANY REPRODUCTION IN PART OR AS A WHOLE WITHOUT THE WRITTEN PERMISSION OF VISION RESEARCH IS PROHIBITED.

UNLESS OTHERWISE SPECIFIED:

DIMENSIONS ARE IN MM
 TOLERANCES:
 FRACTIONAL: ±1/64
 ANGULAR: MACH ±0.5
 ONE PLACE ±0.25
 TWO PLACE ±0.13

INTERPRET GEOMETRIC TOLERANCING PER:

MATERIAL

FINISH

DO NOT SCALE DRAWING

NAME	DATE
DRAWN PJ	6-23-10
CHECKED	
ENG APPR.	
MFG APPR.	
Q.A.	



VISION RESEARCH

100 Dey Road
 Wayne, New Jersey 07470 USA
 973-696-4500

TITLE:
FLEX 2K CUSTOMER DRAWING

SIZE	DWG. NO.	REV
C	VRI-FLEX2K	T
SCALE 1:5	SHEET 5 OF 5	

NEXT ASSY	USED ON
APPLICATION	